



GAME CHANGING INNOVATION

In 1987, a vacuum design innovation from an emerging company in Boise, Idaho revolutionized the commercial cleaning field forever.

ProTeam® started in a garage in 1983, where Larry Shideler, then the owner of a commercial cleaning operation, utilized PVC pipes, a powerful motor and several different filters to create the original lightweight backpack vacuum. He called it the QuarterVac®, and put it to work to astonishing results. He found the backpack vacuum dramatically improved worker productivity, effectiveness and ergonomic comfort. By combining a Four Level® Filtration system with a powerful motor for improved suction, the backpack also extracted and eliminated more dirt than a commercial upright, canister or dust mop.

His innovation sparked a change in thinking and process that took the industry by storm. Maintenance crews in every arena—from universities and schools to commercial cleaning to hospitality—quickly found that ProTeam backpacks saved money, time and resources while improving indoor air quality. With durable materials and fewer moving parts, ProTeam vacuums also last for years, while reducing repair and maintenance issues.

Today ProTeam offers a range of innovative vacuums designed to tackle every cleaning situation, including the best-selling Super CoachVac® and Super QuarterVac®. The company continues to introduce game changers like the battery-powered GoCartVac® and GoVac® BP, and the Super HalfVac® HEPA with five level filtration.

In 2009, Emerson—a diversified global manufacturing and technology company based in St. Louis—acquired ProTeam, and the legacy of innovation continues with a new line of Wet/Dry Vacuums called ProGuard®.



Partners in Indoor Air Quality Education

The American Lung Association (ALA) and ProTeam are partners in a national program to educate the public about the benefits of healthy indoor air quality and ways to promote lung health.



ProTeam is collaborating with the ALA in an educational campaign designed to generate awareness and educate people about indoor air quality issues. This exclusive educational partnership recognizes the American Lung Association’s mission of preventing lung disease and promoting lung health as well as ProTeam’s goal of developing innovative cleaning technologies to address indoor air quality concerns.

The American Lung Association does not endorse products. For further information from the American Lung Association, call 1-800-LUNG-USA, or visit their web site at www.lungusa.org.

Cleaning for Health®

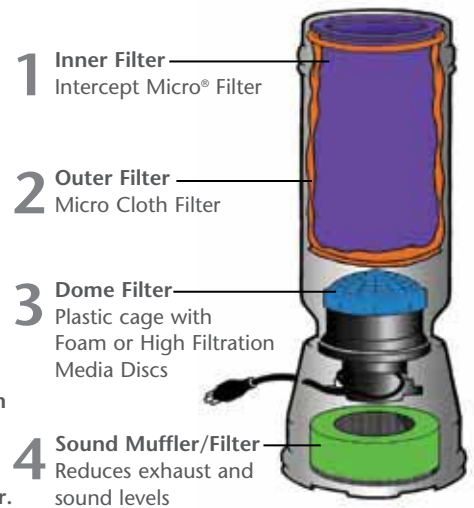
Improved Air Quality

ProTeam vacuums retrieve soil and safely contain harmful particles, preventing them from being reintroduced back into the environment.

Filtration

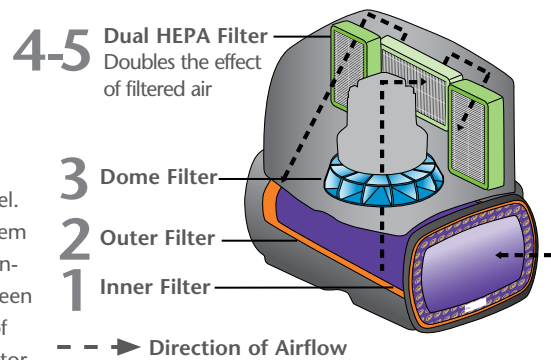
ProTeam’s advanced filtration technology better captures microscopic dust that can harm health and trigger asthma or allergies. ProTeam vacuums feature Four or Five Level Filtration, a multi-part system that starts with the Intercept Micro® Filter as the first line of defense.

ProTeam’s Four Level Filtration Systems are at least 99.77% efficient in filtering particles measuring 1 micron and larger.



Our Newest Unit

The Super HalfVac HEPA, has a revolutionary Five Level Filtration system to take dust capture and retention of microscopic particulates to the next level. The unique HEPA filter system sits behind the motor, essentially filtering air that has been cleaned by the first levels of filtration in front of the motor and captures carbon dust from the motor.



ProTeam’s unique method of suction-vacuuming cleans carpets, hard floors, and other surfaces without stirring up dust – so the air stays cleaner, the furniture collects less dust, and operators can work without breathing unhealthy air.

TABLE OF CONTENTS

Large Capacity Vacuums	2-3
Super CoachVac®, Super CoachVac HEPA, CoachVac®, MegaVac®	
Mid Capacity Vacuums	4-6
Super QuarterVac®, Super QuarterVac HEPA, Super HalfVac® HEPA, TailVac®, QuarterVac®, AviationVac®	
Canister/Upright Vacuums	7
RunningVac®, ProForce® 1500, ProForce 1500XP, ProForce 1200XP	
Foodservice Vacuums	8
ProVac® CN, ProVac BP	
Certified HEPA Vacuums	9
LineVacer® HEPA/ULPA, ProGuard™ 10 HEPA	
Quiet Vacuums	10
QuietPro® BP HEPA, QuietPro CN HEPA	
Battery Vacuums	11
GoVac® BP, GoCartVac®	
Wet/Dry Vacuums	12-13
ProGuard LI 3 Cordless, ProGuard 4 Portable, ProGuard 10, ProGuard 15/20	
Air Mover	14
ProBlitz™ Air Mover	
Attachment Kits	14-17
Individual Attachments	18-21
Filters	22-23
Educational Materials	23
Point-of-Purchase Items	23
Replacement Parts	24
Accessories	25
Ergonomics/Filtration	26
Super CoachVac/Super CoachVac HEPA/CoachVac Parts	27
MegaVac Parts	28
Super QuarterVac/Super QuarterVac HEPA Parts	29
QuarterVac Parts	30
TailVac Parts	31
Super HalfVac HEPA Parts	32
LineVacer Parts	33
QuietPro BP HEPA Parts	34
QuietPro CN HEPA Parts	35
RunningVac/ProVac CN Parts	36
ProVac BP/AviationVac Parts	37
GoVac BP Parts	38
GoCartVac Parts	39
ProForce 1500XP/1200XP Parts	40-41
ProForce 1500 Parts	42-43
ProGuard LI 3 Cordless Parts/ProGuard 4 Portable Parts	44
ProGuard 10/ProGuard 10 HEPA Parts	45
ProGuard 15/20 Parts	46
ProBlitz Air Mover Parts	47
Parts Index	48-52
Sales Representatives	Inside Back Cover

Warranty Info

Most ProTeam products carry an unmatched 3 year parts, labor and motor warranty. Lifetime warranty on molded body parts for backpack and canister vacuums. Please see owner's manual for complete warranty details. Battery products and specialty wet/dry vacuums excluded, refer to individual products.

All prices, specifications and offers effective July 1, 2011 and are subject to change without notice. All specs are based on motor specs.

Trademarks and Patents

ProTeam, TailVac, QuarterVac, Super CoachVac, LineVacer, ProVac, AviationVac, RunningVac, ProForce, QuietPro, GoCartVac, GoVac, Super QuarterVac, CoachVac, MegaVac, Super HalfVac, ProGuard, ProBlitz, Qwik Lock, ProDuster, Cleaning for Health, Four Level, JetSweep, Intercept Micro, QuietPower, Xover and Team Cleaning are trademarks and registered trademarks of ProTeam, Inc. E-Z Glide patent No. 5,659,923 is a trademark of ProTeam, Inc. ManageMen is a registered trademark of ManageMen in the USA. Velcro is a registered trademark of Velcro Industries in the USA.

© 2007-2011 ProTeam, Inc. All Rights Reserved.



LARGE CAPACITY



CERTIFIED GOLD



CERTIFIED GOLD



Super CoachVac

100653* Super CoachVac w/Attachment Kit B (101336) \$529

Our most powerful backpack vacuum available comes equipped with all the tools and accessories to tackle the most demanding cleaning challenges. The Super CoachVac is ideal for vacuuming schools, office buildings, healthcare facilities or any large, high-traffic area that requires extreme power and suction when deep cleaning any surface.

Specifications

Weight: 11 lbs.
 Airflow: 150 CFM
 Static Lift: 100 in.
 Power: 1188 W
 Amperage: 9.9 A
 Decibel: 66 dB
 Intercept Micro Filter: 698 sq. in. / 10 qt.
 Four Level Filtration: 1136 sq. in. total area

* **Standard Configuration Kit includes:** E-Z Glide® Floor Tool w/Brush, 56" Two-Piece, Two-Bend Aluminum Wand, 5" Upholstery Tool, 3" Dust Brush, 17" Crevice Tool.

Optional Configurations for the Super CoachVac

101453	w/Attachment Kit A (100078)	\$529
101830	w/Hard Surface Flooring Kit (101829)	539
105893	w/2-Tool Flooring Installing Kit (105889)	549
105897	w/Flooring Installation Kit (105891)	529
106512	1½" Telescoping Wand Kit (106291)	529
107102	w/Xover Performance Floor Tool Kit A (107097)	529
107107	w/Xover Floor Tool Kit B (107098)	529
107112	w/Xover Performance Floor Tool Kit C (107099)	529
107117	w/Xover Floor Tool Kit D (107100)	529

Super CoachVac HEPA

106573* Super CoachVac HEPA w/Attachment Kit B (101336) \$539

The Super CoachVac HEPA is a productivity powerhouse designed to tackle the most demanding cleaning challenges. This powerful and high filtration unit is ideal for vacuuming high square-foot-age areas that require the utmost cleanliness.

Specifications

Weight: 11 lbs.
 Airflow: 150 CFM
 Static Lift: 100 in.
 Power: 1188 W
 Amperage: 9.9 A
 Decibel: 66 dB
 Intercept Micro Filter: 698 sq. in. / 10 qt.
 Four Level Filtration w/HEPA: 1190 sq. in. total area

HEPA Filtration

HEPA: 99.97% at 0.3 microns at 80 sq. in. filtration area

* **Standard Configuration Kit includes:** E-Z Glide Floor Tool w/Brush, 56" Two-Piece, Two-Bend Aluminum Wand, 5" Upholstery Tool, 3" Dust Brush, 17" Crevice Tool.

Optional Configurations for the Super CoachVac HEPA

106580	w/1½" Telescoping Wand Kit (106291)	\$539
107104	w/Xover Performance Floor Tool Kit A (107097)	539
107109	w/Xover Floor Tool Kit B (107098)	539
107114	w/Xover Performance Floor Tool Kit C (107099)	539
107119	w/Xover Floor Tool Kit D (107100)	539



CoachVac

100643* CoachVac w/Attachment Kit B (101336) \$519

ProTeam's original 10 qt. unit, the CoachVac, is still a favorite among commercial cleaners who rely on its extreme durability, filtration and exceptional product performance.

Specifications

Weight: 11 lbs.
 Airflow: 124 CFM
 Static Lift: 75 in.
 Power: 744 W
 Amperage: 6.2 A
 Decibel: 68 dB
 Intercept Micro Filter: 698 sq. in. / 10 qt.
 Four Level Filtration: 1136 sq. in. total area

* **Standard Configuration Kit includes:** E-Z Glide Floor Tool w/Brush, 56" Two-Piece, Two-Bend Aluminum Wand, 5" Upholstery Tool, 3" Dust Brush, 17" Crevice Tool.

Optional Configurations for the CoachVac

107123 w/Xover® Performance Floor Tool Kit A (107097) \$519
 107124 w/Xover Floor Tool Kit B (107098) 519

MegaVac

100657* MegaVac w/Blower Kit B (106989) \$549

Utilizing our most powerful motor, the MegaVac defines industrial strength. The versatile design allows for quick conversion into a high powered blower while the huge filter capacity contains large amounts of debris. This unit is a "must have" tool in many large industrial facilities and commercial construction sites.

Specifications

Weight: 11 lbs.
 Airflow: 150 CFM
 Static Lift: 100 in.
 Power: 1188 W
 Amperage: 9.9 A
 Decibel: 66 dB
 Intercept Micro Filter: 698 sq. in. / 10 qt.
 Four Level Filtration: 1136 sq. in. total area

* **Standard Configuration Kit includes:** E-Z Glide Floor Tool w/Brush, 56" Two-Piece, Two-Bend Aluminum Wand, Blower Tool, 3" Dust Brush, 17" Crevice Tool.

Optional Configurations for the MegaVac

105892 w/Blower Kit A (106984) \$569
 105894 w/Blower Kit C (106985) 569
 105896 w/Blower Kit D (106986) 559
 107137 w/Xover Performance Floor Tool Blower Kit (107160) 549
 107138 w/Xover Floor Tool Blower Kit (107159) 549

MID CAPACITY



CERTIFIED GOLD



CERTIFIED GOLD



Super QuarterVac

106205* Super QuarterVac w/Attachment Kit B (101336) \$529

The lightweight Super QuarterVac combines the power of the Super CoachVac in a smaller body size. Perfect for operators cleaning small to mid-sized commercial buildings and individual businesses.

Specifications

Weight: 10 lbs.
 Airflow: 150 CFM
 Static Lift: 100 in.
 Power: 1188 W
 Amperage: 9.9 A
 Decibel: 67 dB
 Intercept Micro Filter: 496 sq. in. / 6 qt.
 Four Level Filtration: 791 sq. in. total area

* **Standard Configuration Kit includes:** E-Z Glide Floor Tool w/Brush, 56" Two-Piece, Two-Bend Aluminum Wand, 5" Upholstery Tool, 3" Dust Brush, 17" Crevice Tool.

Optional Configurations for the Super QuarterVac

106206	w/Attachment Kit A (100078)	\$529
106513	w/1 1/2" Telescoping Wand Kit (106291)	529
107101	w/Xover Performance Floor Tool Kit A (107097)	529
107106	w/Xover Floor Tool Kit B (107098)	529
107111	w/Xover Performance Floor Tool Kit C (107099)	529
107116	w/Xover Floor Tool Kit D (107100)	529

Super QuarterVac HEPA

106577* Super QuarterVac HEPA w/Attachment Kit B (101336) \$539

The smaller yet equally powerful sibling of the Super CoachVac backpack vacuum, is versatile enough for any sized cleaning professional. The quality built Super QuarterVac HEPA is a formidable tool for battling poor indoor air quality.

Specifications

Weight: 10 lbs.
 Airflow: 150 CFM
 Static Lift: 100 in.
 Power: 1188 W
 Amperage: 9.9 A
 Decibel: 67 dB
 Intercept Micro Filter: 496 sq. in. / 6 qt.
 Four Level Filtration w/HEPA: 845 sq. in. total area

HEPA Filtration

HEPA: 99.97% at 0.3 microns at 80 sq. in. filtration area

* **Standard Configuration Kit includes:** E-Z Glide Floor Tool w/Brush, 56" Two-Piece, Two-Bend Aluminum Wand, 5" Upholstery Tool, 3" Dust Brush, 17" Crevice Tool.

Optional Configurations for the Super QuarterVac HEPA

106579	w/1 1/2" Telescoping Wand Kit (106291)	\$539
107103	w/Xover Performance Floor Tool Kit A (107097)	539
107108	w/Xover Floor Tool Kit B (107098)	539
107113	w/Xover Performance Floor Tool Kit C (107099)	539
107118	w/Xover Floor Tool Kit D (107100)	539



Super HalfVac HEPA

107120* Super HalfVac HEPA w/Xover Floor Tool Kit (107100) \$539

Innovation redefined – the new Super HalfVac HEPA. This powerful, versatile vacuum provides superior cleaning power in a lightweight, compact vacuum. Ergonomically designed for commercial cleaners who rely on durability and easy maneuverability. Includes a revolutionary five level filtration system for the ultimate cleaning performance.

Specifications

Weight:	9.8 lbs.
Airflow:	111 CFM
Static Lift:	106 in.
Power:	1056 W
Amperage:	8.8 A
Decibel:	68 dB
Intercept Micro Filter:	496 sq. in. / 6 qt.
Five Level Filtration:	1515 sq. in. total area

HEPA Filtration

HEPA: 99.97% at 0.3 microns at 784 sq. in. filtration area

Warranty

3 years on parts, labor, motor and body.

Note: Please refer to Owner's Manual for complete warranty details.

* **Standard Configuration Kit includes:** Xover Floor Tool w/1 1/2" Telescoping Wand, 5" Upholstery Tool, 3" Dust Brush, 17" Crevice Tool.

Optional Configurations for the Super HalfVac HEPA

107004	w/1 1/2" Telescoping Wand Kit (106291)	\$539
107105	w/Xover Performance Floor Tool Kit A (107097)	539
107110	w/Xover Floor Tool Kit B (107098)	539
107115	w/Xover Performance Floor Tool Kit C (107099)	539



TailVac

101550* TailVac w/Attachment Kit B, 1 1/2" hose (101336) \$529

The lightweight TailVac is a preferred tool of professional maid services across the country. This unit is powerful for tough jobs and perfect for quick cleaning or detail jobs. Plus, you can wear it around your waist, carry it by the heavy duty handle or sling it over your shoulder for easy maneuverability.

Specifications

Weight:	8 lbs.
Airflow:	112 CFM
Static Lift:	63 in.
Power:	684 W
Amperage:	5.7 A
Decibel:	65 dB
Intercept Micro Filter:	496 sq. in. / 6 qt.
Four Level Filtration:	781 sq. in. total area

* **Standard Configuration Kit includes:** E-Z Glide Floor Tool w/Brush, 56" Two-Piece, Two-Bend Aluminum Wand, 5" Upholstery Tool, 3" Dust Brush, 17" Crevice Tool.

Optional Configurations for the TailVac

101293	w/Standard 1 1/4" Kit (101324)	\$509
105030	w/Deluxe 1 1/4" Kit (103090)	529
106514	w/1 1/2" Telescoping Wand Kit (106291)	529
107143	w/Xover Performance Floor Tool Kit C (107099)	529
107144	w/Xover Floor Tool Kit D (107100)	529

MID CAPACITY



CERTIFIED
BRONZE



CERTIFIED
BRONZE



QuarterVac

101245* QuarterVac w/Attachment Kit B (101336) \$519

The first vacuum ever produced by ProTeam is still a favorite of many Jan/San professionals. The lightweight versatility and compact construction of the QuarterVac is perfect for operators cleaning smaller commercial buildings, hotels, apartments or individual businesses.

Specifications

Weight: 9 lbs.
 Airflow: 115 CFM
 Static Lift: 65 in.
 Power: 744 W
 Amperage: 6.2 A
 Decibel: 68 dB
 Intercept Micro Filter: 496 sq. in. / 6 qt.
 Four Level Filtration: 791 sq. in. total area

* Standard Configuration Kit includes: E-Z Glide Floor Tool w/Brush, 56" Two-Piece, Two-Bend Aluminum Wand, 5" Upholstery Tool, 3" Dust Brush, 17" Crevice Tool.

Optional Configurations for the QuarterVac

101548	w/Attachment Kit A (100078)	\$519
106515	w/1 1/2" Telescoping Wand Kit (106291)	519
107139	w/Xover Performance Floor Tool Kit C (107099)	519
107140	w/Xover Floor Tool Kit D (107100)	519

AviationVac

106542* AviationVac w/Aviation 1 1/2" Kit #1 (106502) \$619

Designed exclusively for the transportation industry, the AviationVac utilizes the same 400 Hz power system used on transport vehicles without the need for bulky adaptors. The lightweight wand and ergonomic backplate provides a highly efficient tool for cleaning up in a hurry.

Specifications

Weight: 10 lbs.
 Airflow: 106 CFM
 Static Lift: 82 in.
 Power: 864 W
 Amperage: 7.2 A
 Decibel: 68 dB
 Intercept Micro Filter: 496 sq. in. / 6 qt.
 Four Level Filtration: 791 sq. in. total area

* Standard Configuration Kit includes: 49" One-Piece, Two-Bend Aluminum Wand, 17" Crevice Tool, 3" Horsehair Dust Brush, 5" Upholstery Tool, 12" Aluminum Gulper Floor Tool.

Optional Configurations for the AviationVac

103024	w/Aviation 1 1/4" Kit #2 (103222)	\$599
107155	w/Xover Performance Floor Tool Kit C (107099)	619
107156	w/Xover Floor Tool Kit D (107100)	619



RunningVac

106890* RunningVac w/Attachment Kit B (101336) \$589

With the same durable construction found in all ProTeam vacuums, the RunningVac provides exceptional cleaning strength unmatched by traditional canisters. This high performance speed canister is the perfect solution for increasing productivity when a canister is needed.

Specifications

Weight: 12 lbs.
 Airflow: 150 CFM
 Static Lift: 100 in.
 Power: 1188 W
 Amperage: 9.9 A
 Decibel: 66 dB
 Intercept Micro Filter: 698 sq. in. / 10 qt.
 Four Level Filtration: 1045 sq. in. total area

* **Standard Configuration Kit includes:** E-Z Glide Floor Tool w/Brush, 56" Two-Piece, Two-Bend Aluminum Wand, 5" Upholstery Tool, 3" Dust Brush, 17" Crevice Tool.

Optional Configurations for the RunningVac

106894	w/1 1/2" Telescoping Wand Kit (106291)	\$589
107149	w/Xover Performance Floor Tool Kit C (107099)	589
107150	w/Xover Floor Tool Kit D (107100)	589

ProForce 1500/1500XP/New 1200XP

104300 ProForce 1500 \$469 104301 ProForce 1500XP \$559
 105379 ProForce 1200XP \$509

Our top-of-the-line ProForce uprights have evolved into superior cleaning machines. With many exclusive performance features, ergonomic designs and integrated HEPA media, this unit sets the standard in upright technology.

The powerful ProForce contains a high-performance dual-motor system and a low profile, L-shaped head perfect for vacuuming under and around furniture.

ProForce 1500XP and ProForce 1200XP models are equipped with premium quality on-board tools including a lightweight plastic wand with a super stretch-hose.

The **NEW** ProForce 1200XP is designed for advanced versatility allowing the 12" powerhead to reach even smaller spaces.

Specifications

Weight:	ProForce 1500 – 17 lbs. ProForce 1500XP – 18 lbs. ProForce 1200XP – 18 lbs.
Airflow:	96 CFM
Static Lift:	84 in.
Power:	924 W Dual Motor
Amperage:	11 A
Decibel:	67 dB
Intercept Micro Filter:	248 sq. in. / 3.25 qt.
Four Level Filtration w/HEPA Media:	393 sq. in. total media



CERTIFIED GOLD



ProVac CN

103220* ProVac CN w/Restaurant Kit (100727) \$629

The ProVac CN meets the high demands of the foodservice industry by providing exceptional cleaning strength without belts, beater bars or brushes. A 10 qt. filter provides maximum cleaning ability and is backed with an unbeatable five-year motor warranty when purchased with the restaurant kit.

Specifications

Weight: 12 lbs.
 Airflow: 150 CFM
 Static Lift: 100 in.
 Power: 1188 W
 Amperage: 9.9 A
 Decibel: 66 dB
 Intercept Micro Filter: 698 sq. in. / 10 qt.
 Four Level Filtration: 1045 sq. in. total area

* **Standard Configuration Kit includes:** 14" Hard Floor Tool w/Nylon Brush, 14" Carpet Tool w/Scallops, 5" Upholstery Tool, 3" Dust Brush, 11" Crevice Tool, 56" Two-Piece Aluminum Wand w/Button Lock.

Optional Configurations for the ProVac CN

103258	w/Attachment Kit B (101336)	\$589
107153	w/Xover Performance Floor Tool Kit C (107099)	589
107154	w/Xover Floor Tool Kit D (107100)	589



CERTIFIED BRONZE



ProVac BP

100729* ProVac BP w/Restaurant Kit (100727) \$569

The ProVac BP is designed specifically to triumph over the demands of the foodservice and hospitality industry. The unit is virtually indestructible – without belts, beater bars or brushes – and is backed with an unbeatable five-year motor warranty when purchased with the restaurant kit. The ProVac BP rises to any foodservice challenge.

Specifications

Weight: 9 lbs.
 Airflow: 124 CFM
 Static Lift: 75 in.
 Power: 744 W
 Amperage: 6.2 A
 Decibel: 66 dB
 Intercept Micro Filter: 496 sq. in. / 6 qt.
 Four Level Filtration: 791 sq. in. total area

* **Standard Configuration Kit includes:** 14" Hard Floor Tool w/Nylon Brush, 14" Carpet Tool w/Scallops, 5" Upholstery Tool, 3" Dust Brush, 11" Crevice Tool, 56" Two-Piece Aluminum Wand w/Button Lock.

Optional Configurations for the ProVac BP

100829	w/Attachment Kit A (100078)	\$529
103246	w/Attachment Kit B (101336)	529
106519	w/Telescoping Wand Kit (106291)	529
107147	w/Xover Performance Floor Tool Kit C (107099)	529
107148	w/Xover Floor Tool Kit D (107100)	529



LineVacer HEPA/ULPA

100277* LineVacer HEPA w/High Filtration Vac Kit 1 1/2" (100163) \$749

When clean air in a controlled environment is critical, the LineVacer offers benefits never found before in the cleaning industry. Our industrial HEPA/ULPA vacuum is ideal for medical facilities, clean rooms, computer labs or highly sensitive areas with delicate equipment. Appropriate for lead paint renovations under the EPA's RRP rule.

Specifications

Weight: 13 lbs.
 Airflow: 124 CFM
 Static Lift: 75 in.
 Power: 744 W
 Amperage: 6.2 A
 Decibel: 64 dB
 Intercept Micro Filter: 698 sq. in. / 10 qt.
 Four Level Filtration w/HEPA: 2283 sq. in. total area
 Four Level Filtration w/ULPA: 3232 sq. in. total area

True HEPA/ULPA Filtration

HEPA: 99.97% at 0.3 microns at 1197 sq. in. filtration area
ULPA: 99.999+% at 0.12 microns at 2146 sq. in. filtration area

* **Standard Configuration Kit includes:** 56" Two-Piece Aluminum Wand w/Button Lock, 5" Upholstery Tool, 3" Dust Brush, 14" Carpet Tool w/Scallops, 36" One-Bend Bulk Pick-Up Tool.

Optional Configurations for the LineVacer HEPA/ULPA

100280	ULPA w/High Filtration Vac Kit (100163)	\$919
107161	LineVacer HEPA w/Turbo Brush Kit (107162)	809
107141	LV HEPA w/Xover Performance Floor Tool Kit C (107099)	749
107142	LV HEPA w/Xover Floor Tool Kit D (107100)	749

ProGuard 10 HEPA

107183 ProGuard 10 HEPA w/Wet/Dry Tool Kit (107187) \$909

The ProGuard 10 HEPA Vacuum is designed specifically for critical area cleaning and renovation applications requiring a certified HEPA filter. The ProGuard 10 HEPA Vacuum filters particulate down to 0.3 microns at 99.97% efficiency and meets the EPA's definition of a HEPA Vacuum under the RRP Rule. With a heavy duty, 2 stage motor and commercial grade tools and hose, the ProGuard 10 HEPA sets a new standard in critical filtration vacuums.

Specifications

Motor: 1380 watt/9.5 amp
 Airflow: 105 CFM
 Static Lift: 95"
 Tank Size: 10 gallon (38.0 liter)
 Weight: 30 lbs. (13.6 kg)
 Decibel: 68 dB
 Intercept Micro Filter: 1036 sq. in.
 Certified HEPA Filter: 1904 sq. in.
 Micro Cloth Pre-Filter: 209 sq. in.
 Power Cord: 50', 14 AWG
Standard Configuration Kit includes: 10 ft. 1 1/2" Hose, Two-Piece Wand, Bristle Floor Tool, Squeegee Tool, Crevice Tool and Dust Brush.

Warranty*

3 years on parts, labor and motor.
 Lifetime on molded body parts.

*See owner's manual for complete warranty details

Recommended Environments:

- Education
- Healthcare
- Hospitality/Foodservice
- Retail
- Emergency/Flood Cleanup
- Hard Floor Refinishing
- Construction
- Lead Paint Repair/Renovation



QuietPro BP HEPA

105732* QuietPro BP HEPA w/Attachment Kit B (101336) \$609

The QuietPro BP HEPA with QuietPower® Technology delivers high performance and exceptional cleaning strengths for environments where low sound levels are critical. Never worry about disrupting building occupants during regular business hours again.

Specifications

Weight: 11 lbs.
 Power Mode (High):
 Airflow: 106 CFM
 Static Lift: 82 in.
 Power: 864 W
 Amperage: 7.2 A
 Decibel: 60 dB
 Quiet Mode (Low):
 Airflow: 74 CFM
 Static Lift: 45 in.
 Power: 612 W
 Amperage: 5.1 A
 Decibel: 51 dB
 Intercept Micro Filter: 496 sq. in. / 6 qt.
 Four Level Filtration w/HEPA: 845 sq. in. total area

HEPA Filtration

HEPA: 99.97% at 0.3 microns at 80 sq. in. filtration area

* **Standard Configuration Kit includes:** E-Z Glide Floor Tool w/Brush, 56" Two-Piece, Two-Bend Aluminum Wand, 5" Upholstery Tool, 3" Dust Brush, 17" Crevice Tool.

Optional Configurations for the QuietPro BP HEPA

105733	w/Attachment Kit A (100078)	\$609
106518	w/1 1/2" Telescoping Wand Kit (106291)	609
107145	w/Xover Performance Floor Tool Kit C (107099)	609
107146	w/Xover Floor Tool Kit D (107100)	609

QuietPro CN HEPA

106207* QuietPro CN HEPA w/Attachment Kit B (101336) \$659

The QuietPro CN HEPA vacuum with Quiet Power Technology delivers high performance where low sound levels are critical. With a filter capacity four times the size of standard uprights, the QuietPro CN HEPA provides maximum cleaning ability.

Specifications

Weight 12 lbs.
 Power Mode (High):
 Airflow: 124 CFM
 Static Lift: 75 in.
 Power: 744 W
 Amperage: 6.2 A
 Decibel: 55 dB
 Quiet Mode (Low):
 Airflow: 85 CFM
 Static Lift: 38 in.
 Power: 552 W
 Amperage: 4.6 A
 Decibel: 47 dB
 Intercept Micro Filter: 698 sq. in. / 10 qt.
 Four Level Filtration w/HEPA: 2188 sq. in. total media

HEPA Filtration

HEPA: 99.97% at 0.3 microns at 1170 sq. in. filtration area

* **Standard Configuration Kit includes:** E-Z Glide Floor Tool w/Brush, 56" Two-Piece, Two-Bend Aluminum Wand, 5" Upholstery Tool, 3" Dust Brush, 17" Crevice Tool.

Optional Configurations for the QuietPro CN HEPA

106517	w/1 1/2" Telescoping Wand Kit (106291)	\$659
107151	w/Xover Performance Floor Tool Kit C (107099)	659
107152	w/Xover Floor Tool Kit D (107100)	659



LITHIUM ION
BATTERY TECHNOLOGY

GoVac BP

106803* GoVac BP w/Attachment Kit (106844), Battery & Charger \$3,489

Go anywhere with the GoVac BP. Freedom to clean without the barrier of power cords has been a demand of professional cleaners for years. ProTeam's GoVac BP offers extreme versatility and power for every cleaning situation. From detail cleaning in stairwells and elevators to offices, schools and commercial buildings, this unit performs with ease and convenience.

Specifications

Weight: 24 lbs.
 Airflow: 65 CFM
 Static Lift: 70 in.
 Motor: 36 V
 Decibel: 69 dB
 Intercept Micro Filter: 496 sq. in. / 6 qt.
 Four Level Filtration: 791 sq. in. total area
 Battery Type: Lithium Ion
 Continuous Run Time: 50 minutes
 Full Charge Time: 3 hours

Warranty

1 year prorated on batteries. 1 year on battery charger.
 3 years on motor. Lifetime on vacuum body.

Note: Please refer to Owner's Manual for complete warranty details.

***Standard Configuration Kit includes:** 13" Curved Chrome Wand w/Button Lock, 24"- 40" Chrome Telescoping Wand w/Button Lock, 13" Crevice Tool, 5 1/2" Upholstery Tool, 2 1/2" Rectangular Dust Brush 90/180° Swivel, 10" Multi-Surface Floor Tool, Cuff Adapter.

Options and Optional Configurations for the GoVac BP

106603	Charger	\$ 366.45
106621	Battery Assembly	2,699.00
106907	w/ Attachment Kit B, 1 1/2" hose (101336)	3,499.00
107157	w/Xover Performance Floor Tool Kit C (107099)	3,499.00
107158	w/Xover Floor Tool Kit D (107100)	3,499.00



BATTERY
TECHNOLOGY

GoCartVac

106209* GoCartVac w/GoCart Kit (104885) \$3,489

With the ability to plug into a wall socket or run off the large battery reserve, the GoCartVac allows cleaning professionals the ability to clean anywhere, anytime, without the limitations of cords or the concern of noisy equipment. Go anywhere with the GoCartVac.

Specifications

Airflow: 82 CFM
 Static Lift: 67 in.
 Motor: 36 V
 Amperage: 14.1 A
 Decibel: 58 dB
 Intercept Micro Filter Media: 496 sq. in./791 sq. in. total area

Battery Type: Sealed (non-spillable), Lead Acid
 Continuous Run Time: 1 hour
 Full Charge Time (w/36V-18.5 amp battery charger): 3.5 hours

Warranty

6 months on battery.
 1 year on battery charger.
 3 years on motor.
 Lifetime on vacuum body.

Note: Please refer to Owner's Manual for complete warranty details.

*** Standard Configuration Kit includes:** 24"- 40" Chrome Telescoping Wand w/Button Lock, 10" Multi-Surface Floor Tool, 13" Crevice Tool, 5 1/2" Upholstery Tool w/Removable Brush, 2 1/2" Rectangular Dust Brush 90/180° Swivel.



ProGuard LI 3 Cordless

107127 ProGuard LI 3 Cordless \$339

The ProGuard LI 3 Cordless Vacuum combines powerful vacuum performance with the cord-free convenience of 18-volt Lithium Ion power for quick cleanup. The ProGuard LI's lightweight design and narrow profile makes this vacuum easy to carry and easy to store.

Specifications

Motor: 18 Volt, permanent magnet DC
 Airflow: 60 CFM
 Static Lift: 38"
 Tank Size: 3 gallon (11.4 liter)
 Weight: 10.5 lbs. (4.8 kg)
 Decibel: 72 dB
 Fine Dust Cartridge Filter: 903 sq. in.
 Battery Type: Lithium Ion
 Continuous Run Time: 11 minutes
 Full Charge Time: 30 minutes
Standard Configuration Kit includes: 2' to 7' Stretch Vacuum Hose, Crevice Tool, Dust Brush, Claw Nozzle, Battery and Charger.

Warranty*

3 years on parts and labor.
 1 year on vacuum motor, battery and charger.
 Lifetime on molded body parts.
 *See owner's manual for complete warranty details

Options for ProGuard LI 3 Cordless

107200	Battery Assembly	\$104.95
107201	Charger	\$2.45

ProGuard 4 Portable

107128 ProGuard 4 Portable w/4 Gallon Tool Kit (107184) \$239

Power and versatility come together in the portable ProGuard 4 Wet/Dry Vacuum. For emergency spills, detail cleaning and portable jobsite maintenance, there's no better choice for true wet/dry vacuum performance in an easy-to-carry package.

Specifications

Motor: 1080 Watt, 9.0 amps
 Airflow: 142 CFM
 Static Lift: 51"
 Tank Size: 4 gallon (15.2 liter)
 Weight: 12 lbs. (5.5 kg)
 Decibel: 76 dB
 Fine Dust Cartridge Filter: 903 sq. in.
 Intercept Micro Filter (optional): 814 sq. in.
 Power Cord: 20', 18 AWG

Standard Configuration Kit includes: 10' Vacuum Hose, Two-Piece Wand, Master Floor Tool with Carpet, Bristle and Squeegee Tool Inserts, Crevice Tool, Dust Brush and Claw Nozzle.

Warranty*

3 years on parts and labor.
 1 year on vacuum motor.
 Lifetime on molded body parts.

*See owner's manual for complete warranty details

Recommended Environments:

- Education
- Healthcare
- Hospitality
- Facility Service Providers

Recommended Applications:

- Small Spills
- Flooding
- Jobsite Cleanup
- Day Porters
- Spot Cleaning

Recommended Environments:

- Education
- Healthcare
- Hospitality
- Facility Service Providers

Recommended Applications:

- Emergency Spills
- Spot Cleaning
- Jobsite Maintenance
- Flooding
- Day Porters



(shown with optional front mount squeegee)

ProGuard 10

107129 ProGuard 10 w/Wet/Dry Tool Kit (107187) \$509

The ProGuard 10 Wet/Dry Vacuum offers durable construction and powerful performance. With a heavy duty, 2 stage motor and commercial grade tools and hose, the ProGuard 10 will keep working even in the toughest environments.

Specifications

Motor:	1380 watt/9.5 amp
Airflow:	105 CFM
Static Lift:	95"
Tank Size:	10 gallon (38.0 liter)
Weight:	28 lbs. (12.7 kg)
Decibel:	68 dB
ProGuard Wet Filter:	Polypropylene Screen
Fine Dust Cartridge Filter:	1276 sq. in.
Intercept Micro Filter (optional):	1036 sq. in.
Power Cord:	50', 14 AWG

Standard Configuration Kit includes: 10 ft. 1½" Hose, Two-Piece Wand, Bristle Floor Tool, Squeegee Tool, Crevice Tool and Dust Brush.

Warranty*

3 years on parts, labor and motor.
Lifetime on molded body parts.

*See owner's manual for complete warranty details

Recommended Environments:

- Education
- Healthcare
- Hospitality/Foodservice
- Retail
- Emergency/Flood Cleanup
- Hard Floor Refinishing

ProGuard 15/20

107130 ProGuard 15 w/Wet/Dry Tool Kit (107187) \$759
107131 ProGuard 20 w/Wet/Dry Tool Kit (107187) \$809

Power and versatility are combined with innovation in the ProGuard 15 and 20 Wet/Dry Vacuums. The unique variable wheel pattern allows for increased maneuverability and improved productivity while offering the performance, filtration and durability you expect from a ProTeam vacuum.

Specifications

Motor:	1380 Watt, 9.5 amps
Airflow:	105 CFM
Static Lift:	95"
Tank Size:	15 gallon (57.0 liter) or 20 gallon (76.0 liter)
Weight:	15 gallon – 68 lbs. (31 kg) or 20 gallon – 70 lbs. (32 kg)
Decibel:	69 dB
ProGuard Wet Filter:	Polypropylene Screen
Fine Dust Cartridge Filter:	1276 sq. in.
Intercept Micro Filter (optional):	1418 sq. in.
Power Cord:	50', 14 AWG

Standard Configuration Kit includes: 10 ft. 1½" Hose, Two-Piece Wand, Bristle Floor Tool, Squeegee Tool, Crevice Tool and Dust Brush.

Warranty*

3 years on parts, labor and motor.
Lifetime on molded body parts.

*See owner's manual for complete warranty details

Options for ProGuard 15/20

107185 Front Mount Squeegee \$198.45

Recommended Environments:

- Education
- Healthcare
- Hospitality
- Foodservice
- Retail
- Emergency/Flood Cleanup
- Hard Floor Refinishing
- Manufacturing

AIR MOVER / ATTACHMENT KITS

**AVAILABLE
SOON!**



ProBlitz XP AirMover shown

ProBlitz

107132 ProBlitz	\$269
107133 ProBlitz XP	\$299

Maximum airflow and low amp draw combine to make the ProBlitz Air-Mover the first choice for Carpet Cleaners and Restoration Contractors alike. With 3 fan speeds and 3 operating positions, the ProBlitz AirMover tackles every air circulation requirement with ease.

Specifications

Motor:	.4 HP/360 Watt/Capacitor Start
Amperage:	Low – 2.4 A Medium – 2.7 A High – 3.0 A
Airflow:	2200 CFM (max)
Weight:	28 lbs.
Housing:	2-Piece High-Impact Polypropylene w/Built-in Cord Wrap
Storage:	Vertically stackable and top-mounted carry handle
Blower Wheel:	High-Impact Polypropylene
Drying Positions:	Three - 0°, 45°, 90°
Transportation:	Telescoping handle and wheels (XP model only)
Power Cord:	30', 18-3 AWG w/Grounded Plug

Options for the ProBlitz

107300 Carpet Clamp Kit	\$45
-------------------------	------

Commercial Two-Piece 1½" Wand Kits

1½" Attachments with a Two-piece Wand

Each kit contains:

- Two-Piece, Two-Bend Aluminum Wand – 56" (101338)
- Crevice Tool – 17" (100108)
- Dust Brush – 3" (100110)
- Upholstery Tool – 5" (100115)

And a choice of the following floor tools:

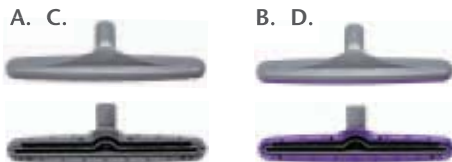
Part No.	Description	List Price
A. 100078	14" Floor Tool w/Scallops (100147)	\$ 88.03
B. 101336	14" E-Z Glide Floor Tool w/Brush (101446)	93.32



Xover® Tool Attachment Kits

Each kit contains:

- Crevice Tool – 17" (100108)
- Dust Brush – 3" (100110)
- Upholstery Tool – 5" (100115)



And a choice of the following:

Part No.	Description	List Price
A. 107097	Xover Performance Floor Tool (107015) w/1½" Two-Piece Wand	\$93.32
B. 107098	Xover Floor Tool (107016) w/1½" Two-Piece Wand	93.32
C. 107099	Xover Performance Floor Tool (107015) w/1½" Telescoping Wand	103.28
D. 107100	Xover Floor Tool (107016) w/1½" Telescoping Wand	103.28

Commercial 1½" Telescoping Wand Kit

1½" Attachments with a Telescoping Wand

Each kit contains:

- 1½" 42 to 59" Aluminum Telescoping Wand (106290)
- Crevice Tool – 17" (100108)
- Dust Brush – 3" (100110)
- Upholstery Tool – 5" (100115)
- 14" E-Z Glide Floor Tool w/Brush (101446)

Part No.	Description	List Price
106291	1½" Telescoping Wand Kit	\$109.13

Standard and Deluxe 1 1/4" Kits

Each kit contains:

- Chrome Telescoping Wand – 24" to 40" w/Button Lock (106343)
- Curved Chrome Wand – 1 1/4" x 13" w/Button Lock (103505)
- Crevice Tool – 13" (103086)
- Cuff Adapter – 1 1/4" x 1 1/4" (103099)
- Dust Brush, Rectangular 90/180° Swivel – 2 1/2" (103089)
- Upholstery Tool – 5 1/2" (103087)
- w/Removable Brush (103088)

Standard kit contains:

- A. Multi-Surface Floor Tool – 10" (106709)

Deluxe kit contains:

- B. Natural Fiber Hard Floor Tool – 12" (103084)
- C. Carpet Tool w/Scallops 12" (103085)

Part No.	Description	List Price
101324	TailVac Standard 1 1/4" Attachment Kit	\$69.70
103090	TailVac Deluxe 1 1/4" Attachment Kit	93.32



Flooring Installation 1 1/2" Kits

Each kit contains:

- Two-Piece, Two-Bend Aluminum Wand – 56" (101338)
- Crevice Tool – 17" (100108)
- Dust Brush – 3" (100110)

And a choice of the following:

Part No.	Description	List Price
105889	Hard Floor Tool w/Scalloped Felt Brush (100144) and Hard Floor Tool w/Horse Hair Brush (100614)	\$133.65
105891	Hard Floor Tool w/Horse Hair Brush (100614)	97.91

Hard Surface Flooring 1 1/2" Kit

Each kit contains:

- Two-Piece, Two-Bend Aluminum Wand – 56" (101338)
- Crevice Tool – 28" (100109)
- Dust Brush – 3" (100110)
- Upholstery Tool – 5" (100115)
- 14" Hard Floor Tool w/Felt Brush – Scalloped & Flat (106194)

Part No.	Product Name	List Price
101829	Hard Surface Flooring 1 1/2" Attachment Kit	\$107.69

Turbo Brush 1 1/4" Kit

Each kit (100135) contains:

- 11" Turbo Brush Tool – 1 1/4" (100117)
- 54" One-Bend Chrome Tapered Wand – 1 1/2" to 1 1/4" (100136)

Part No.	Product Name	List Price
100135	Turbo Brush with Wand	\$123.89

Restaurant 1 1/2" Kit

Each kit contains:

- Two-Piece Aluminum Wand w/Button Lock – 56" (101338)
- Carpet Tool w/Scallops 14" (100147)
- Dust Brush – 3" (100110)
- Upholstery Tool – 5" (100115)
- Crevice Tool 11" (100107)
- Hard Floor Tool w/Nylon Brush – 14" (100623)

Part No.	Product Name	List Price
100727	Restaurant 1 1/2" Attachment Kit	\$117.27

Note: Extra 10-pack Intercept Micro Filters, extra cloth filter and 5-year motor warranty included with purchase of ProVac BP (100729) and ProVac CN with Restaurant Kit (103220).

ATTACHMENT KITS

Aviation 1½" Kit #1

Each kit contains:

Dust Brush, Horsehair – 3" (100110)
 Crevice Tool – 17" (100108)
 Aluminum One-Piece, Two-Bend Wand – 49" (106293)
 Upholstery Tool – 5" (100115)
 Aluminum Gulper Floor Tool – 12" (100155)

Part No.	Product Name	List Price
106502	Aviation 1½" Attachment Kit	\$125.61

Aviation 1¼" Kit #2

Each kit contains:

Curved Chrome Wand w/Button Lock – 1¼" x 13" (103505)
 Crevice Tool – 13" (103086)
 Upholstery Tool – 5½" (103087)
 w/Removable Brush (103088)
 Dust Brush, Rectangular 90/180° Swivel – 2½" (103089)
 Cuff Adapter – 1¼" x 1¼" (103099)
 Carpet Tool w/Scallops 12" (103085)
 Chrome Telescoping Wand w/Button Lock – 24" to 40" (106343)

Part No.	Product Name	List Price
103222	Aviation 1¼" Attachment Kit	\$69.70

GoVac BP 1¼" Kit

Each kit contains:

Chrome Telescoping Wand – 24"- 40" w/Button Lock (106343)
 Multi-Surface Floor Tool – 10" (106709)
 Crevice Tool – 13" (103086)
 Upholstery Tool – 5½" (103087) w/Removable Brush (103088)
 Dust Brush, Rectangular 90/180° Swivel – 2½" (103089)
 Curved Chrome Wand – 13" (103505)
 Cuff Adapter – 1¼" x 1¼" (103099)

Part No.	Product Name	List Price
106844	GoVac BP Toolkit	\$80.60

GoCartVac 1¼" Kit

Each kit contains:

Chrome Telescoping Wand – 24"- 40" w/Button Lock (106343)
 Multi-Surface Floor Tool – 10" (106709)
 Crevice Tool – 13" (103086)
 Upholstery Tool – 5½" (103087) w/Removable Brush (103088)
 Dust Brush, Rectangular 90/180° Swivel – 2½" (103089)

Part No.	Product Name	List Price
104885	1¼" Attachments with Telescoping Wand	\$63.63

LineVacer 1½" Turbo Brush Kit

Each kit contains:

Two-Piece, One-Bend, Friction Fit Wand (102266)
 Turbo Floor Tool – 1½" (103608)
 Crevice Tool – 17" (100108)
 Upholstery Tool – 5" (100115)
 Dust Brush – 3" (100110)

Part No.	Product Name	List Price
107162	1½" Attachments with Friction Fit Wand	\$157.45

High Filtration Vac 1 1/2" Kit

Each kit contains:

- Two-Piece Aluminum Wand w/Button Lock – 56" (101338)
- Carpet Tool w/Scallops – 14" (100147)
- Dust Brush – 3" (100110)
- Upholstery Tool – 5" (100115)
- One-Bend Bulk Pick-Up Tool – 36" (100150)

Part No.	Product Name	List Price
100163	High Filtration 1 1/2" Attachment Kit	\$100.53

MegaVac 1 1/2" Blower Kits

Each kit contains:

- Two-Piece, Two-Bend Aluminum Wand – 56" (101338)
- Crevice Tool – 17" (100108)
- Dust Brush – 3" (100110)
- Blower Tool (106993)

And a choice of the following:

Part No.	Description	List Price
A. 106984	Hard Floor Tool w/Scalloped Felt Brush (100144) and Hard Floor Tool w/Horse Hair Brush (100614)	\$141.23
B. 106989	14" E-Z Glide Floor Tool w/Brush (101446)	96.13
C. 106985	JetSweep® 20 Hard Floor Tool w/Nylon Brush (101613)	121.17
D. 106986	Hard Floor Tool w/Horse Hair Brush (100614)	106.03
E. 107159	Xover Floor Tool (107016)	93.32
F. 107160	Xover Performance Floor Tool (107015)	93.32



ProGuard 10/15/20 Wet/Dry 1 1/2" Tool Attachment Kit

Each kit contains:

- Two-Piece Wand 1.5" (101338)
- Squeegee Tool (107199)
- Nylon Brush Floor Tool (100623)
- Crevice Tool (100107)
- Dust Brush (100110)

Part No.	Product Name	List Price
107187	ProGuard 10/15/20 1 1/2" Tool Attachment Kit	\$145.95



ProGuard 4 Portable Wet/Dry Tool Attachment Kit

Each kit contains:

- Ext. Handle Curved (107188)
- Ext. Handle Straight – (107190)
- Master Floor Tool – (107189)
- Carpet Insert (107191)
- Floor Brush Insert (107192)
- Squeegee Insert – (107193)
- Crevice Tool – (107194)
- Dust Brush – (107195)
- Claw Nozzle – (107196)

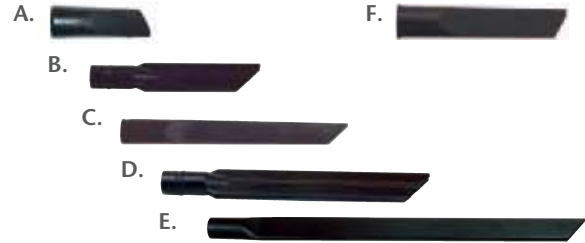
Part No.	Product Name	List Price
107184	ProGuard 4 Tool Attachment Kit	\$72.82



INDIVIDUAL ATTACHMENTS

Crevice Tools

No.	Product Name	Size	List Price
A. 104832	Replacement Crevice Tool (ProForce 1500XP)	1 1/4"	\$ 2.73
B. 100107	11" Crevice Tool	1 1/2"	6.79
C. 103086	13" Crevice Tool	1 1/4"	5.86
D. 100108	17" Crevice Tool	1 1/2"	9.16
E. 100109	28" Crevice Tool	1 1/2"	16.54
F. 107194	10 1/2" Crevice Tool (ProGuard LI 3 and ProGuard 4)	1 1/2"	6.14



Dust Brushes

No.	Product Name	Size	List Price
G. 103089	2 1/2" Rectangular 90/180° Swivel	1 1/4"	\$ 7.04
H. 100110	3" Dust Brush w/Reducer	1 1/2"	8.22
I. 102659	5" Long Dust Brush	1 1/4"	12.04
J. 104833	Combo Upholstery/Dust Brush (ProForce 1500XP)	1 1/4"	20.60
K. 107195	Dust Brush (ProGuard LI 3 and ProGuard 4)	1 1/2"	7.72



Upholstery Tools

No.	Product Name	Size	List Price
L. 103087	5 1/2" Upholstery Tool (Includes Removable Brush No.103088)	1 1/4"	\$ 7.04
M. 100115	5" Upholstery Tool	1 1/2"	11.81



Bulk Pick-Up Tool

No.	Product Name	Size	List Price
N. 100150	36" One-Bend Bulk Pick-Up Tool	1 1/2"	\$19.01



Pipe Cleaner Tools

No.	Product Name	Size	List Price
O. 100113	1" to 4" Overhead Pipe Cleaner (Includes Reducer Cuff)	1 1/2"	\$61.44
P. 100114	4" to 8" Overhead Pipe Cleaner (Includes Reducer Cuff)	1 1/2"	78.91



Miscellaneous Tools

No.	Product Name	Size	List Price
Q. 106993	Blower Tool	1 1/2"	\$11.81
R. 107196	Claw Nozzle (ProGuard LI 3 and ProGuard 4)	1 1/2"	12.23

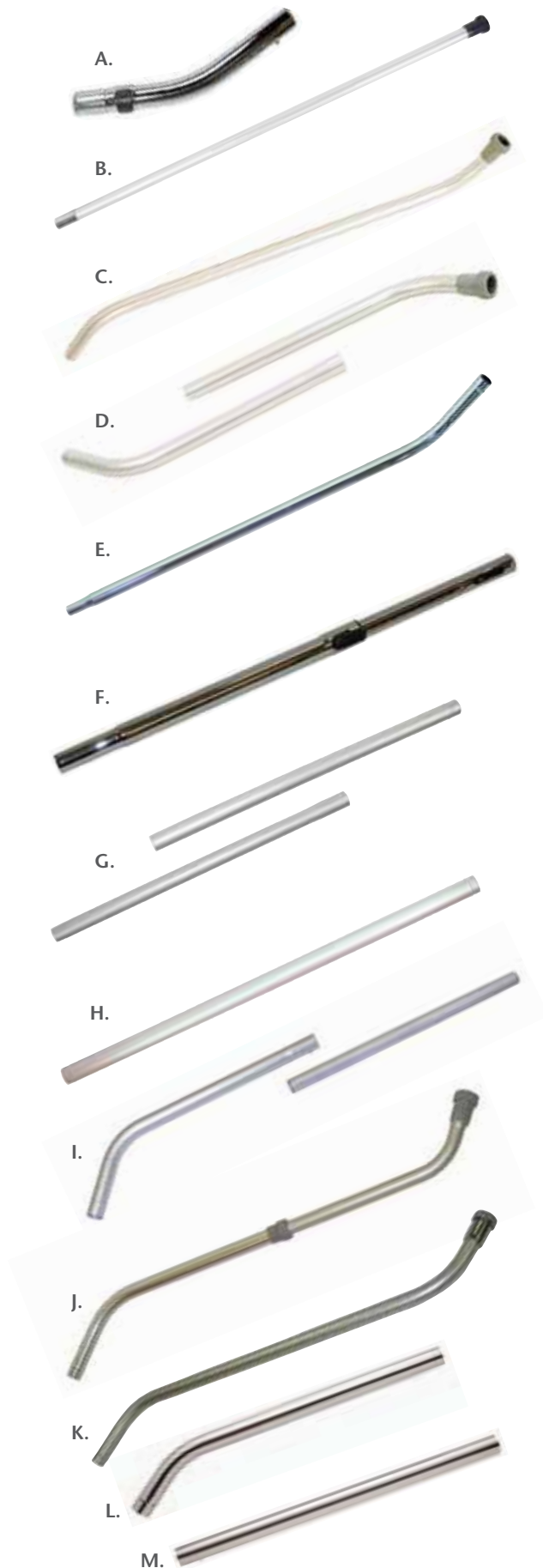


INDIVIDUAL ATTACHMENTS

Wands

No.	Product Name	Size	List Price
A. 103505	13" Curved Chrome Wand w/Button Lock	1 1/4"	\$16.76
100167	13" Curved Chrome Wand (Not Shown)	1 1/4"	18.44
B. 100104	60" Straight Extension* Aluminum Wand	1 1/2"	63.44
C. 100102	56" One-Piece, Two-Bend Aluminum Wand*	1 1/2"	60.46
D. 101338	56" Two-Piece, Two-Bend Aluminum Wand w/Button Lock*	1 1/2"	53.42
E. 100136	54" One-Bend Chrome Tapered Wand for 1 1/4" Turbo Brush (100117)	1 1/2" - 1 1/4"	45.13
F. 106343	24" to 40" Chrome Telescoping Wand w/Button Lock	1 1/4"	29.54
G. 105693	59" Two-Piece Friction Fit Aluminum Sidewinder Straight Wand	1 1/2"	65.89
H. 105695	59" One-Piece Friction Fit Aluminum Sidewinder Straight Wand	1 1/2"	55.23
I. 102266	54" Two-Piece Friction Fit One Bend Aluminum Wand with Button Lock	1 1/2"	62.30
J. 106290	42" to 59" Aluminum Telescoping Wand	1 1/2"	72.75
K. 106293	49" One-Piece, Two-Bend Aluminum Wand w/Aluminum Coupling	1 1/2"	62.66
L. 107188	Ext. Handle Curved (ProGuard 4)	1 1/2"	28.82
M. 107190	Ext. Handle Straight (ProGuard 4)	1 1/2"	25.88

*Wands come complete with tool couplings








INDIVIDUAL ATTACHMENTS

Carpet Floor Tools








Wand Diameter	Length	Product Name	Part No.	List Price	Photo
1 1/4"	11"	Turbo Brush Ideal use: medium to high pile carpeting. Only use with friction fit wand 106343 or 100136.	100117	\$81.06	
1 1/4"	12"	Floor Tool w/Scallops Ideal use: low to medium pile carpeting. Only use with friction fit wand 106343 or 100136.	103085	27.17	
1 1/2"	12"	Paddle Tool Ideal use: hard to reach areas on airplanes, under seats, desks, pews, stadium seats, etc.	100730	28.36	
1 1/2"	11"	Turbo Brush Ideal use: medium to high pile carpeting. Only with friction fit wand 102266.	103608	81.06	
1 1/2"	11"	Floor Tool w/Adjustable Nylon Brush Ideal use: medium pile and Berber carpet.	100083	41.35	
1 1/2"	14"	Floor Tool w/Scallops Ideal use: low to medium pile carpeting.	100147	33.08	
1 1/2"	15"	JetSweep 15 Carpet Tool Larger neck opening for larger debris. Only with friction fit wand 102266.	103032	49.61	
1 1/2"	15"	15" Sidewinder® Carpet Tool Ideal use: along baseboards and crevices on low pile carpet. Only use with wand #105693 or #105695.	106245	50.24	
1 1/2"	18"	18" Sidewinder Carpet Tool Ideal use: along baseboards and crevices on low pile carpet. Only use with wand #105693 or #105695.	105691	58.38	
1 1/2"	16"	Floor Tool w/Adjustable Nylon Brush Ideal use: medium pile and Berber carpet. Efficient for larger areas.	100092	44.89	

Multi-Surface Floor Tools

Wand Diameter	Length	Product Name	Part No.	List Price	Photo
1 1/4"	10"	Multi-Surface Floor Tool Ideal use: low pile carpet and hard surfaces. Lever on top of tool lowers brush and duster strip for hard surfaces. Use with friction fit wand 106343 or 100136.	106709	\$27.57	
1 1/2"	12"	Gulper Aluminum Floor Tool Ideal use: low pile and hard surfaces. Best for larger debris.	100155	44.94	
1 1/2"	14"	E-Z Glide w/Nylon Brush Ideal use: commercial, medium pile carpet and durable flooring. Not recommended for delicate finishes.	101446	49.61	
1 1/2"	14"	Xover® Performance Floor Tool Ideal use: commercial, medium pile carpet and durable flooring. Provides better performance of soil removal due to the agitation of the carpet. The Super CoachVac with Xover Performance Tool reaches Gold Seal of Approval Rating with the Carpet and Rug Institute.	107015	49.61	
1 1/2"	14"	Xover Floor Tool Ideal use: commercial, medium pile carpet and durable flooring. Improved suction performance and design for ease of use is 44% more effective when compared to the E-Z Glide.	107016	47.20	

INDIVIDUAL ATTACHMENTS

Wet/Dry Vacuum Floor Tools

Wand Diameter	Length	Product Name	Part No.	List Price	Photo
1 1/2"	14 1/2"	Master Floor Tool (ProGuard 4) Ideal use: holds floor inserts for specialized cleaning applications.	107189	\$ 12.44	
1 1/2"	14 1/2"	Carpet Insert (ProGuard 4 used with 107189) Ideal use: low to medium pile carpeting. Wet pickup nozzle for most carpet cleaning.	107191	8.24	
1 1/2"	14 1/2"	Floor Brush Insert (ProGuard 4 used with 107189) Ideal use: tile, marble, vinyl, linoleum. Best for area cleanup on smooth surfaces.	107192	14.54	
1 1/2"	14 1/2"	Squeegee Insert (ProGuard 4 used with 107189) Ideal use: used for wet and dry pickup on smooth surfaces.	107193	15.38	
1 1/2"	14"	Squeegee Tool (ProGuard 10/15/20) Ideal use: used for wet and dry pickup on smooth surfaces.	107199	51.45	
1 1/2"	28"	Front Mount Squeegee (ProGuard 15/20) Ideal use: floor strip recovery, flood restoration applications. The ability to go right up to walls, corners and easier in tight spaces.	107185	198.45	
1 1/2"	28"	Front Mount Squeegee Replacement Blade Set (ProGuard 15/20)	107186	25.88	

Hard Floor Tools

Wand Diameter	Length	Product Name	Part No.	List Price	Photo
1 1/4"	12"	Natural Fiber Hard Floor Tool Ideal use: tile, mable, vinyl, linoleum, wood. Best for floors without a high gloss finish. Only use with friction fit wand 106343 or 100136.	103084	\$30.71	
1 1/2"	14"	Hard Floor Tool w/Scalloped Felt Brush Ideal use: floors with delicate or high polished finishes. Also for use on polyethylene barrier/visqueen when cleaning the plastic hung in work areas adhering to the EPA's RRP guidelines.	100144	47.26	
1 1/2"	14"	Hard Floor Tool w/Nylon Brush Ideal use: tile, marble, vinyl, linoleum, wood. Best for floors without a high gloss finish. Also used with ProGuard Wet/Dry Vacuums 10/15/20.	100623	47.26	
1 1/2"	14"	Hard Floor Tool w/Horse Hair Brush Ideal use: with floors with high gloss finish.	100614	50.80	
1 1/2"	14"	Hard Floor Tool w/Felt Brush – Scalloped & Flat Ideal use: hardwood floors.	106194	48.10	
1 1/2"	8"	8" Sidewinder Hard Floor Tool w/ Horse Hair Brush Ideal use: hard to reach areas, walls, ceilings, corners, baseboards, vents, fans and moldings. Use only with wand #105693 or #105695.	106793	65.73	
1 1/2"	15"	15" Sidewinder Hard Floor Tool w/Nylon Brush Ideal use: hard to reach areas, walls, ceilings, corners, baseboards, vents, fans and moldings. Use only with wand #105693 or #105695.	106246	52.49	
1 1/2"	18"	18" Sidewinder Hard Floor Tool w/Nylon Brush Ideal use: hard to reach areas, walls, ceilings, corners, baseboards, vents, fans and moldings. Use only with wand #105693 or #105695.	105692	61.20	
1 1/2"	20"	JetSweep 20 Hard Floor Tool w/Nylon Brush Ideal use: dust mop type of applications. Use only with Super CoachVac, Super QuarterVac, MegaVac, ProVac CN and RunningVac.	101613	69.70	

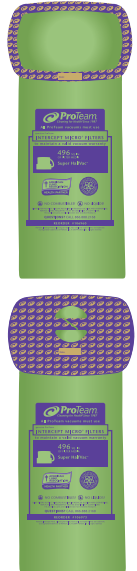
Note: Additional specialty attachments may be available upon request. Contact Customer Service. All attachments are non-metallic unless otherwise noted.

FILTERS

Intercept Micro Filters

Thicker, won't shred, treated with antimicrobial organic agent. Double-pleated design gives 21% more filtration area.

No.	Product Name	Filter Media	List Price*
100431	Intercept Micro Filters, One Pack of 10 fits Super QuarterVac, Super QuarterVac HEPA, QuarterVac, TailVac, ProVac BP, QuietPro BP HEPA, GoVac BP, GoCartVac, AviationVac (Case = 20 packs)	496 sq. in. / 6 qt.	\$15.60
106995	Intercept Micro Filters, One Pack of 10 (Closed Collar) fits Super QuarterVac, Super QuarterVac HEPA, QuarterVac, TailVac, ProVac BP, QuietPro BP HEPA, GoVac BP, GoCartVac, AviationVac (Case = 20 packs)	496 sq. in. / 6 qt.	26.76
100331	Intercept Micro Filters, One Pack of 10 fits Super CoachVac, Super CoachVac HEPA, CoachVac, MegaVac (Case = 20 packs)	698 sq. in. / 10 qt.	20.80
100291	Intercept Micro Filters, One Pack of 10 fits LineVacer (Case = 20 packs)	698 sq. in. / 10 qt.	31.10
104544	Intercept Micro Filters, One Pack of 10 fits QuietPro CN HEPA, RunningVac, ProVac CN (Case = 20 packs)	698 sq. in. / 10 qt.	24.97
103483	Intercept Micro Filters, One Pack of 10 fits ProForce (Case = 25 packs)	248 sq. in. / 3.25 qt.	11.21
106960	Intercept Micro Filters, One Pack of 10 (Open Collar) fits Super HalfVac (Case = 20 pks)	496 sq. in. / 6 qt.	20.80
106973	Intercept Micro Filters, One Pack of 10 (Closed Collar) fits Super HalfVac (Case = 20 pks)	496 sq. in. / 6 qt.	24.47
107182	Intercept Micro Filters, One Pack of 3 fits ProGuard 4 Portable	814 sq. in.	18.00
107181	Intercept Micro Filters, One Pack of 3 fits ProGuard 10/10 HEPA	1036 sq. in.	24.33
107180	Intercept Micro Filters, One Pack of 3 fits ProGuard 15/20	1418 sq. in.	35.34



* Price is for one pack of 10 filters except ProGuard Filters which are a pack of 3

Dry Filters

No.	Product Name	List Price
D. 100564	Micro Cloth Filter for TailVac, Super QuarterVac, Super QuarterVac HEPA, QuarterVac, ProVac BP, QuietPro BP HEPA, GoVac BP, GoCartVac, AviationVac	\$ 24.45
100565	Micro Cloth Filter for CoachVac, Super CoachVac, Super CoachVac HEPA, MegaVac, LineVacer	29.60
103115	Micro Cloth Filter for QuietPro CN HEPA, RunningVac, ProVac CN	30.88
107040	Micro Cloth Filter for Super HalfVac HEPA	24.45
E. 104274	True HEPA Filter Assembly Complete w/Bottom Cap for LineVacer (Black)	242.64
F. 104275	True ULPA Filter Assembly Complete w/Bottom Cap for LineVacer (Black)	314.48
G. 101220	High Filtration Discs for Dome Filter, One Pack of Two; Super QuarterVac, QuarterVac, CoachVac, Super CoachVac, MegaVac, ProVac BP, GoVac BP, GoCartVac, AviationVac	10.59
102761	High Filtration Discs for Dome Filter, One Pack of Two; TailVac, RunningVac, ProVac CN	10.80
H. 106526	HEPA Dome Filter (Fits all Backpacks except TailVac)	11.54
106887	HEPA Dome Filter Upgrade Kit (Super CoachVac) - includes filter and HEPA decal	20.46
106888	HEPA Dome Filter Upgrade Kit (Super QuarterVac) - includes filter and HEPA decal	20.46
I. 100343	Foam Filter Media for Dome Filter; Super QuarterVac, QuarterVac, GoVac BP, CoachVac, Super CoachVac, MegaVac, LineVacer, ProVac BP, AviationVac	1.32
107060	Foam Filter Media for Dome Filter; Super HalfVac HEPA	1.32
101949	Foam Filter Media for Dome Filter; TailVac, QuietPro CN HEPA, RunningVac, ProVac CN	1.32
J. 100698	Sound Muffler for QuarterVac	28.97
105800	Sound Muffler for Super QuarterVac, Super QuarterVac HEPA, AviationVac, ProVac BP, GoVac BP	28.97
100597	Sound Muffler for Super CoachVac, Super CoachVac HEPA, CoachVac, MegaVac	28.97
K. 103123	Exhaust/Sound Filter for RunningVac, ProVac CN	19.06
106928	Exhaust Muffler for GoCartVac (not shown)	6.08
L. 103638	True HEPA Filter Assembly w/Electrical Connector for QuietPro CN HEPA	123.67
M. 107005	HEPA Replacement Cartridge for Super HalfVac HEPA (sold individually)	5.78



FILTERS/EDUCATIONAL MATERIALS/POINT-OF-PURCHASE

Upright Replacement Filters

No.	Product Name	List Price
A. 105136	Replacement HEPA Media Exhaust Filter	\$6.95
B. 104246	Replacement Exhaust Filter Cover	5.22
C. 104281	Replacement Motor Intake Filter	3.03



ProGuard Wet/Dry Specialty Filters

No.	Product Name	Filter Media	List Price
D. 107177	Qwik Lock™ Wet Filter, fits ProGuard 10/15/20	Polypropylene Screen	\$ 25.15
E. 107178	Qwik Lock Fine Dust Cartridge Filter, fits ProGuard LI 3/4	903 sq. in.	18.85
F. 107175	Qwik Lock Fine Dust Cartridge Filter, fits ProGuard 10/15/20	1276 sq. in.	25.15
G. 107176	Qwik Lock HEPA Media Filter, fits ProGuard 10/15/20	1276 sq. in.	31.45
H. 107179	Certified HEPA Filter Assembly, fits ProGuard 10 HEPA (Includes Micro Cloth Pre-Filter)	1904 sq. in.	366.45



Educational Materials

Videos

No.	Product Name	List Price
105498	Training/Sales DVD – The ProTeam Way*	\$19.95
104812	Pest Control DVD – Introduction to Pest Control Systems	19.95
106501	Vacuums – Set-Up/Training/Operation DVD (English and Spanish)* (How To DVD)	19.95

ManageMen® Team Cleaning® Programs**

On-site training program with video*** and printed support materials.

No.	Product Name	List Price
100630	How to Coach a Successful Team – Audio CD, menu driven DVD that also contains Spanish, Playbook, ISSA's 447 Cleaning Times, Wooden's Pyramid of Success and a Janitor University Philosophy of Cleaning Poster.	\$99.95
101122	How to Be a Light-Duty Specialist™ – Audio CD, menu driven DVD that also contains Spanish, Light-Duty Playbook and 1 Scouting Report.	99.95
100628	How to Be a Vacuum Specialist™ – Audio CD, menu driven DVD that also contains Spanish, Vacuum Playbook, 1 Scouting Report and 1 Simplified Simon Vacuum Brochure.	99.95
100629	How to Be a Restroom Specialist™ – Audio CD, menu driven DVD that also contains Spanish, Restroom Playbook and 1 Scouting Report.	99.95
104152	How to Be a Utility Specialist™ in Carpet Care – Audio CD, menu driven DVD that also contains Spanish, Playbook and 3 Scouting Reports.	99.95

*Downloadable version can be found on www.pro-team.com

**ManageMen is a registered trademark of ManageMen, Inc.

***Discounts do not apply to Educational Videos

Point-of-Purchase Items****

No.	Product Name	List Price
A. 104029	Vac Display Mannequin Custom powder-coated metal backpack display. Holds one vacuum.	\$236.00
B. 104158	12" Display Pedestal	31.50
B. 104159	18" Display Pedestal	31.50
B. 105537	Set of Display Pedestals Set of (1) 12" Display Pedestal and (1) 18" Display Pedestal	57.75
C. 100180	Demo Duffel Bag Durable product demo duffel bag holds vacuum and complete demo kit.	42.00
D. 100719	Logo Banner Attractive 4' x 6' vinyl ProTeam logo banner w/metal grommets for easy display.	47.00
E. 104160	Floor Mat Eye catching ProTeam logo mat designed to withstand years of abuse. Displays do not include vacuums.	152.25

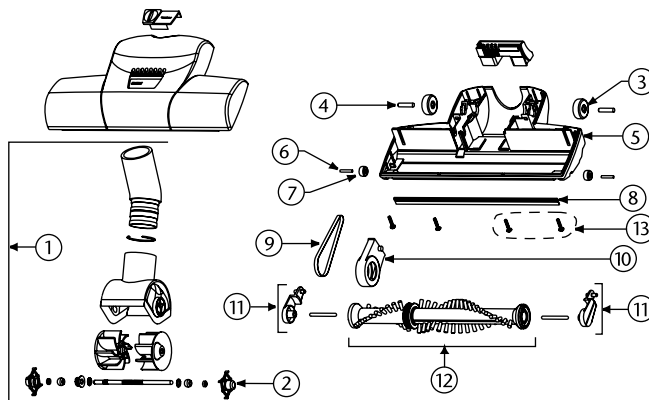


****Discounts do not apply to Point of Purchase items

REPLACEMENT PARTS

Turbo Brush Replacement Parts

No.	Product Name	List Price
1	104011 1 1/4" Neck Assembly Complete	22.02
	104012 1 1/2" Neck Assembly Complete	22.02
2	103974 Bushing w/Holder	6.83
3	104017 Back Wheel, Set of 2	2.25
4	104016 Rear Axle, Set of 2	2.09
5	104021 Bottom Cover	18.59
6	104018 Front Axle, Set of 2	1.79
7	104019 Front Wheel, Set of 2	2.84
8	104022 Squeegee	2.35
9	104020 Belt	5.91
10	104023 Belt Guard	.89
11	103975 Brush Arm, Set of 2	3.77
12	104024 Brush Roller Assembly	20.64
13	106525 Screws, Set of 2	1.06

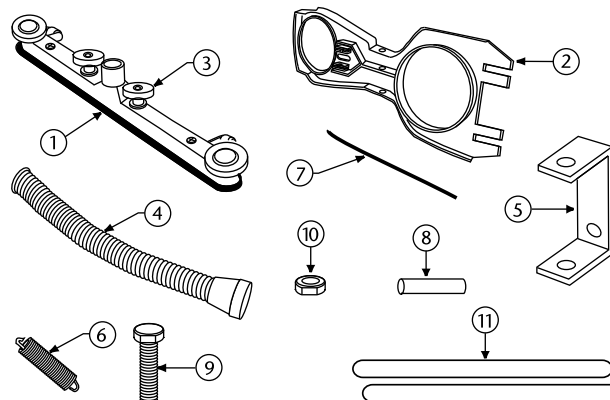


Attachment Replacement Parts

No.	Product Name	List Price
100084	Replacement Brush – 11" Floor Tool (100083)	\$ 8.86
100093	Replacement Brush – 16" Floor Tool (100092)	10.05
100099	Replacement Nut – Aluminum Wands (100102, 100104, 101338, 106290)	7.69
100100	Replacement Ring – Aluminum Wands (100102, 100104, 101338, 106290, 106293)	1.79
100101	Replacement Sleeve – Aluminum Wands (100102, 100104, 101338, 106290)	4.42
100112	Reducer Cuff 11/4" to 11/2"	4.16
100116	Replacement Nylon Brush – 5" Upholstery Tool (100115)	7.09
100137	Replacement Nut – Aluminum Wand 106293	10.84
100141	Replacement Bumper – 14" Floor Tool (100147)	4.28
100145	Replacement Felt – 14" Floor Tool – Straight (100143)	7.09
100146	Replacement Felt, Scalloped – 14" Floor Tool (100144 & 106194)	7.09
100598	Squeegee Blades for 107199 Tool	8.77
100713	Replacement Nylon Brush – 14" Floor Tool (100623)	16.22
100714	Replacement Horse Hair Brush w/Brush, Washer and Screw – 14" Floor Tool (100614)	20.98
101092	Reducer Cuff 11/2" x 11/4" For Hose	14.13
101155	Replacement Nylon Brush – E-Z Glide 14" Floor Tool (101446)	4.29
101445	Retro Kit – 14" E-Z Glide Floor Tool (fits 101446 Floor Tool & 100147) (purple bumper, brush & screws)	25.99
101473	Repair Clip with Screws – 14" Hard Floor Tool w/Nylon Brush (100623)	2.29
101475	Repair Kit – Felt Floor Tools: Support Bars and Screws	11.97
101615	Replacement Blue Bumper for Jet Sweep 20 (101613)	7.57
101880	Replacement Nylon Brush – JetSweep 20, 20" Hard Floor Tool, Set of Two (101613)	14.18
103088	Removable Brush – 51/2" Upholstery Tool (103087)	4.73
103099	Cuff Adapter 11/4" x 11/4"	2.63
106064	Replacement Brush – 12" Floor Tool (103084)	13.37
106961	Replacement Sleeve w/Rivets – Aluminum Wand 106293	14.47
107020	Replacement Hose – Sidewinder Floor Tool	3.05
107076	Shoe Kit (Xover Performance Floor Tool)	8.39
107077	Brush Strip (Xover Performance Floor Tool)	4.08
107078	Shoe Kit (Xover Floor Tool)	25.99
107125	Button Lock Repair Kit Telescoping Wand (106343)	6.83

ProGuard Front Mount Squeegee Replacement Parts

No.	Product Name	List Price
1	833532 Squeegee Assembly	\$71.93
2	833523 Squeegee Pivot Plate Assembly	74.03
3	833542 Oval Hand Knob (set of 2)	8.45
4	833442-1 Hose Assembly	13.49
5	833528 Squeegee Mounting Bracket	11.08
6	833529 Spring	6.41
7	830536-1 Wire Tie	5.57
8	833530 Rod	5.93
9	832397-2 3/8" Bolt	9.29
10	161255-2 3/8" Lock Nut	.16
11	107186 Replacement Blades (set of 2 sold separately)	25.88



ProDuster® and Sleeves

ProDuster sleeves fit over most wand dusters and generate their own dust-attracting properties that collect and hold dust and dirt particles. The sleeves are safe for any surface as they contain no oils or waxes and won't streak or leave any residue. ProDuster sleeves will prolong the life of your wool duster, making them much more economical to replace than the entire duster.

Ask for a **FREE** sample pack with your next order!

No.	Product Name	List Price
101533	500 sleeves 10 packs of 50	\$264.95
101532	50 sleeves 1 pack of 50	29.57

* Wool duster not included



The ProTeam Vac Station

The Vac Station helps operators of any height easily slip on and off any ProTeam backpack vacuum. The ProTeam Vac Station measures 22" long, 8.5" high, and 14" deep.

No.	Product Name	List Price
102947	Vac Station	\$68.78
103071	Mounting Hardware Complete	23.15
106033	Wall Bracket and Screws	9.47

Extra Intercept Micro Filters and wands with floor tools fit into spaces on the side. Dust brushes and upholstery tools hide in a compartment beneath the platform on which any ProTeam backpack or hip-style vacuum fits. A sturdy steel wall bracket is mounted to the wall with three screws. The Vac Station attaches to the bracket and allows for 20" of travel. Crevice tools and floor tools slide into holes behind the vacuum. Extension cords hang from the side.



Miscellaneous

No.	Product Name	List Price
A. 106346	Waist Belt Extension (18") Nifco	\$19.50
B. 106345	Waist Belt Extension (10") Nifco	18.67
107084	Waist Belt Extension for Super HalfVac (Not Shown)	43.58
C. 102604	Schulte Cord Holder	8.77
D. 101394	Ergonomic Wand Handles, Set	25.82
E. 101678	50' 16-Gauge Extension Cord (Yellow)*	32.60
101611	Velcro Cord Strap	1.42
F. 103441	Cord Lock (ProVac CN, RunningVac)	12.34
106261	6' Static Strap Kit (ProForce) (Not Shown)	81.29
G. 833432	50' 14-Gauge Extension Cord w/Twist Lock Plug (Yellow) (Not Shown)	60.64



*Includes Cord Wrap

ERGONOMICS/FILTRATION

Ergonomic Design - Fast and Easy to Use



The results of two studies by the Department of Surgery, Division of Orthopedics, at Ohio State University and the Battelle Memorial Institute, determined that ProTeam backpack vacuum cleaner's ease-of-use and ergonomic design allowed workers to vacuum more than twice the area in half the time with less fatigue and body strain (a figure backed by the ISSA official timetables for cleaning).

Requires less than half the energy and effort to clean the same area as it would take with an upright

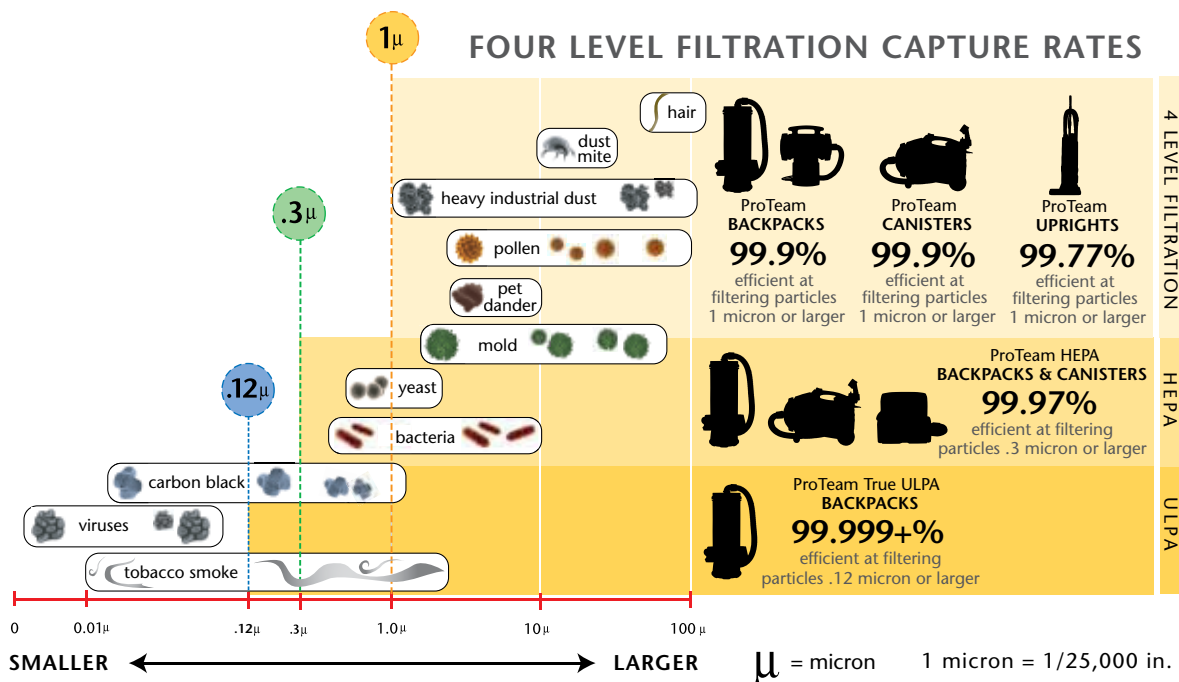
- Allows more carpet to be cleaned in a shorter amount of time due to the natural walking motion used.
- Avoids repetitive motions.
- Results in less body stress due to the use of larger muscle groups.
- Increases efficiency.
- Minimizes "hunching over" often associated with upright and canister vacuums.

Source— Battelle Memorial Institute, Ohio State University, Columbus, Ohio, 1998

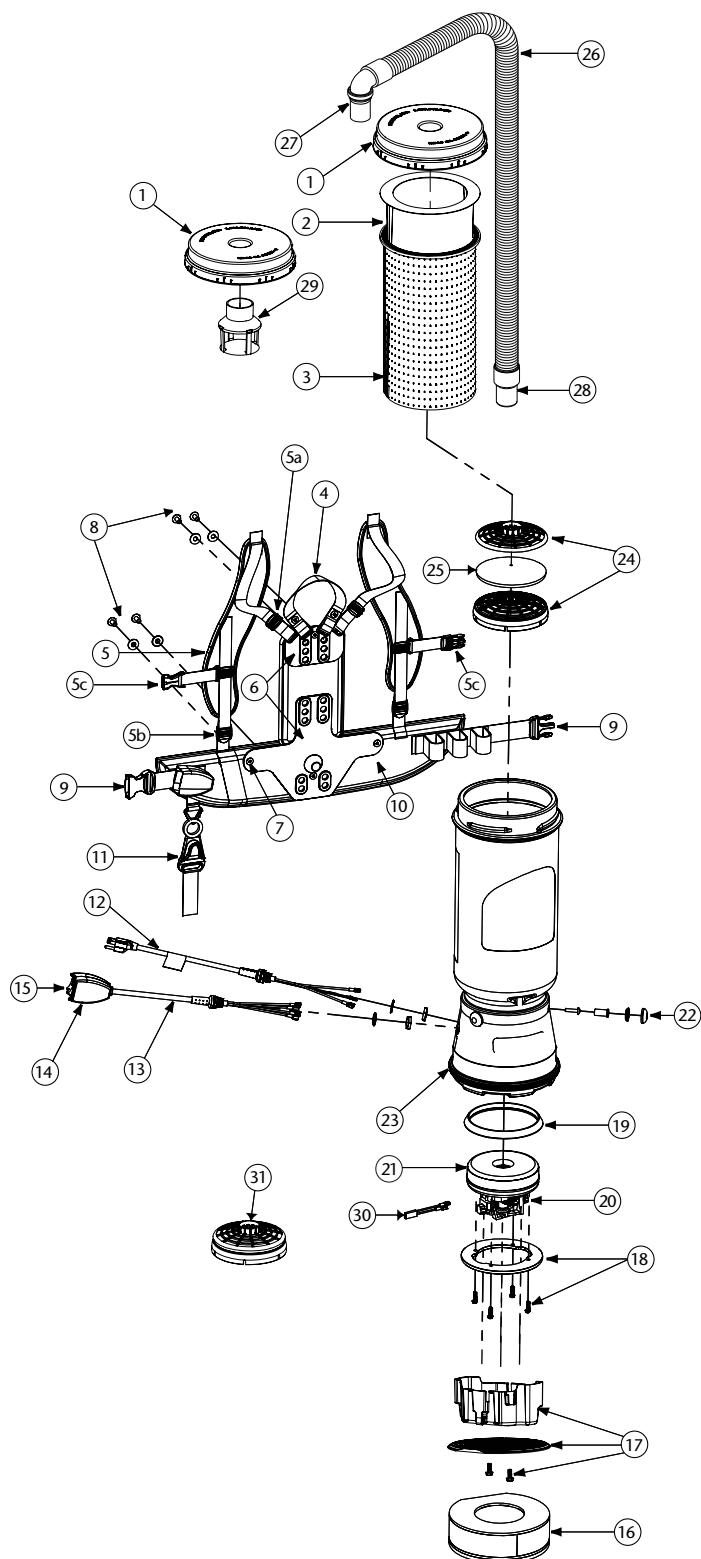
Filtration

Be Sure to Use Genuine ProTeam Intercept Micro Filters

To ensure valid vacuum warranty, optimal performance and improved indoor air quality.

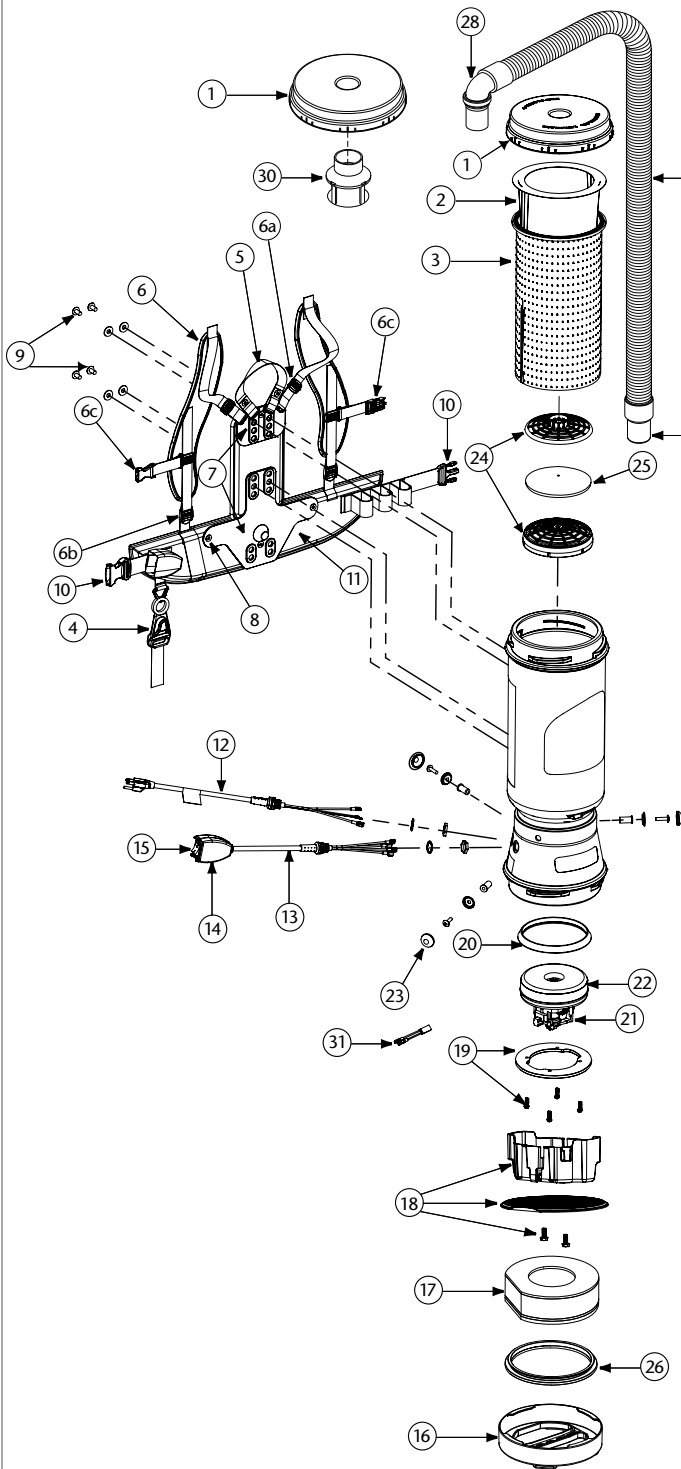


SUPER COACHVAC/SUPER COACHVAC HEPA/COACHVAC PARTS



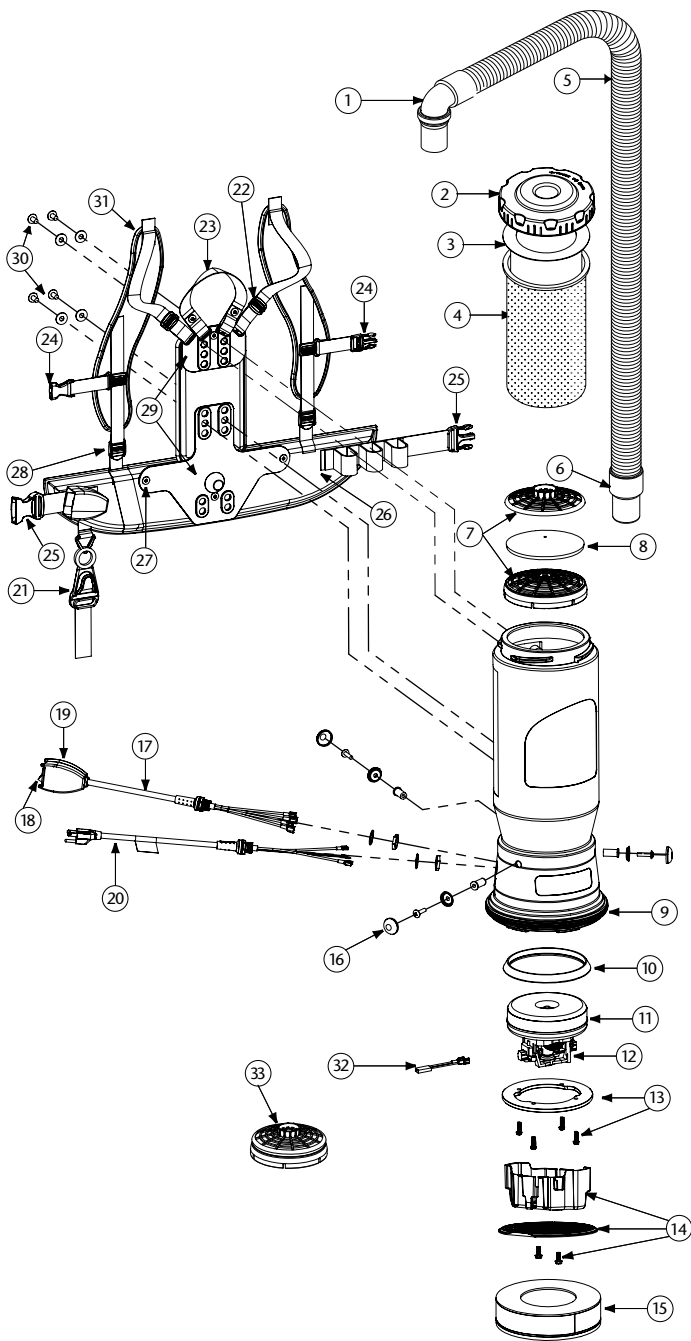
No.	Product Name	Qty	List Price
1	100197 Twist Cap (Purple) (SCV and SCV HEPA only)	1 ea.	\$ 34.10
	100320 Twist Cap (Black) (CoachVac only)	1 ea.	34.10
2	100331 698 Sq. In. Intercept Micro Filter	10/pk	20.80
3	100565 Micro Cloth Filter	1 ea.	29.60
4	101737 Carry Handle w/Rivet and Washer Set	1 set	8.54
5	100356 Shoulder Strap Assembly (includes: #5a, 5b, 5c)	1 set	17.05
5a	100358 Shoulder Strap Plastic Adjustment Buckle (Top)	1 ea.	.99
5b	100357 Shoulder Strap Plastic Adjustment Buckle (Bottom)	1 ea.	.99
5c	103627 Sternum Strap Buckles (Latch and Keeper)	1 set	2.10
6	105046 Backplate (includes: #7)	1 ea.	26.24
	103257 Backplate Replacement	1 ea.	26.24
7	100375 Barrel Nut Connection Set for Backplate (Replacement)	1 set	5.90
8	100716 Backplate (Black) Connection Set: 4 Screws w/Washers	1 set	13.11
9	106719 Waist Belt Keeper and Latch	1 ea.	11.89
10	100359 Waist Belt (includes: #9)	1 ea.	39.34
	100354 Strap Assembly Complete (includes: #5, 10)	1 set	52.47
	103166 Backplate (Black) System Complete (includes: #4, 5, 6, 8, 10, 11)	1 set	65.58
11	102604 Schulte Cord Holder	1 ea.	8.77
12	100641 Power Cord (18" 14/3) Assembly	1 set	19.03
13	101610 Switch Cord Assembly (includes: #14, 15)	1 set	36.73
	101714 Switch Cord w/Crimps	1 ea.	16.28
14	101472 Switch Box w/Velcro and New Lamb Switch	1 set	23.60
15	106066 On/Off Switch (must use with #106287)	1 ea.	7.14
	106287 Switch Box w/Velcro and Screws	1 ea.	17.61
16	100597 Sound Muffler	1 ea.	28.97
17	105044 Motor Shroud/Diffuser w/Screw Set: 2 Screws	1 set	22.48
18	100335 Motor Compression Ring w/Screws	1 set	11.15
	100378 Compression Ring Screw Set: 4 Screws	1 set	2.95
19	100014 Tetraseal	1 ea.	11.81
20	105697 Carbon Brush Set for CoachVac Motor (Domel Motor)	1 set	20.98
	100424 Carbon Brush Set for CoachVac Motor (Ametek Motor) (116311-00)	1 set	20.98
	106904 Carbon Brush Set for CoachVac Motor (Ametek Motor) (122157-00)	1 set	20.98
	105164 Carbon Brush Set for Super CoachVac Motor (Domel Motor)	1 set	20.98
	101720 Carbon Brush Set for Super CoachVac Motor (Ametek Motor)	1 set	20.98
21	100422 Motor/Fan (120 V) w/Crimps for CoachVac	1 ea.	88.67
	105162 Motor/Fan (120 V) w/Crimps for Super CoachVac	1 ea.	118.04
	100379 Motor Ground and Wire Clamp Set w/Screws	1 set	5.90
	100380 Motor Crimp Set: 4 Female, 4 Male, Ground Crimp Connector	1 set	10.49
22	100368 Motor Mounting System Set: 3 Well Nuts, 3 Bolts, 3 Washers, 3 Covers	1 set	13.11
23	100586 Bottom Bumper	1 ea.	7.22
24	100030 Dome Filter w/Foam Media	1 ea.	7.88
25	100343 Foam Filter Media for Dome Filter	1 ea.	1.32
	101220 High Filtration Disk (optional)	2/pk	10.59
26	103048 Static-Dissipating Hose w/Cuffs (Black)	1 ea.	24.93
27	101928 Replacement Double Swivel Elbow Cuff (Black)	1 ea.	9.06
28	100694 Replacement Swivel Cuff (Black) 1 1/2"	1 ea.	5.39
29	101543 Filter Guard (Optional)	1 ea.	9.47
30	103476 Thermal Protector	1 ea.	14.39
31	106526 Replacement HEPA Dome Filter	1 ea.	11.54
	101678 50' Extension Cord (Not Shown)	1 ea.	32.60

MEGAVAC PARTS



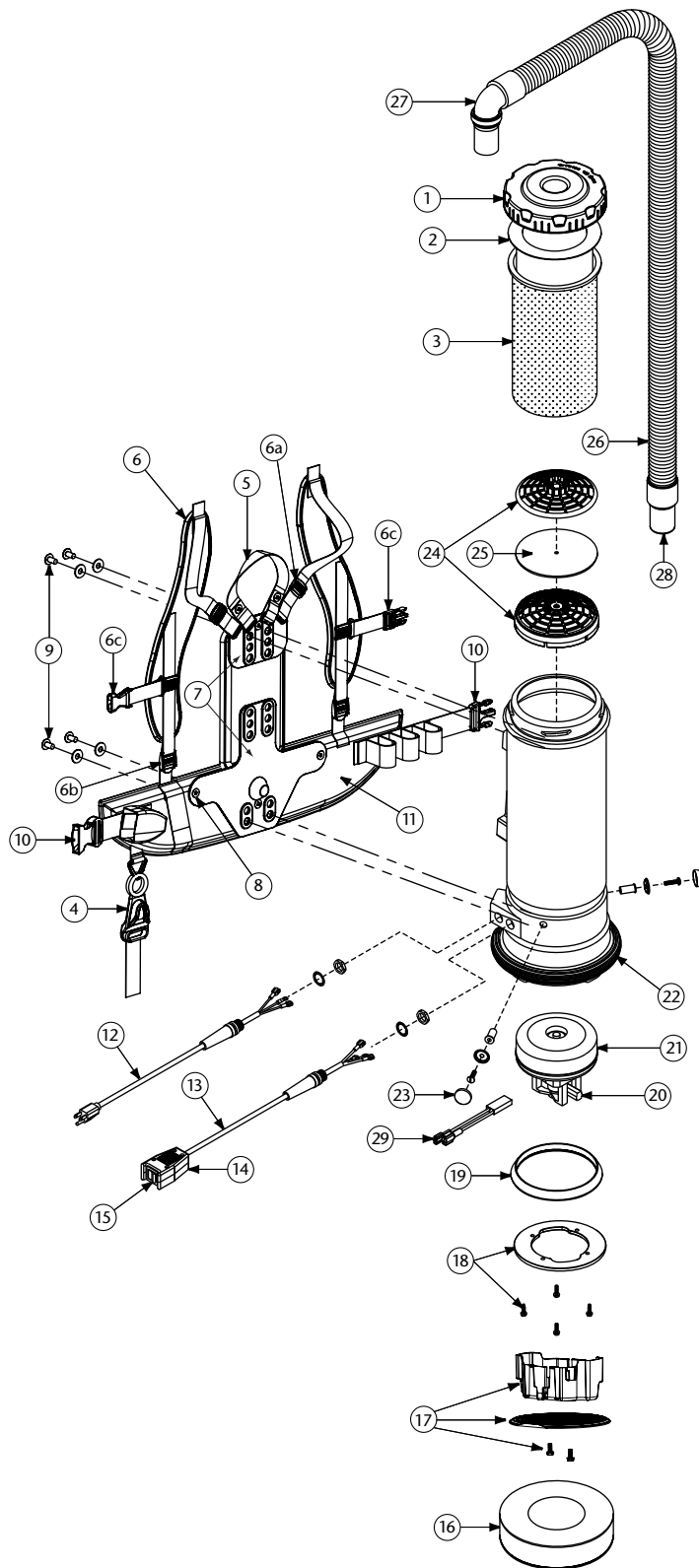
No.	Product Name	Qty	List Price
1	100320 Twist Cap (Black)	1 ea.	\$ 34.10
2	100331 698 Sq. In. Intercept Micro Filter	10/pk	20.80
3	100565 Micro Cloth Filter	1 ea.	29.60
4	102604 Schulte Cord Holder	1 ea.	8.77
5	101737 Carry Handle w/Rivet and Washer Set	1 set	8.54
6	100356 Shoulder Strap Assembly (includes: #6a, 6b, 6c)	1 set	17.05
6a	100358 Shoulder Strap Plastic Adjustment Buckle (Top)	1 ea.	.99
6b	100357 Shoulder Strap Plastic Adjustment Buckle (Bottom)	1 ea.	.99
6c	103627 Sternum Strap Buckles (Latch and Keeper)	1 set	2.10
7	105046 Backplate (includes: #8)	1 ea.	26.24
8	100375 Barrel Nut Connection Set for Backplate (Replacement)	1 set	5.90
9	100374 Backplate Connection Set: 4 Screws w/Washers, Stand Offs	1 set	13.11
10	106719 Waist Belt Keeper and Latch	1 ea.	11.89
11	100359 Waist Belt (includes: #10)	1 ea.	39.34
	100354 Strap Assembly Complete (includes: #6, 11)	1 set	52.47
	103166 Backplate System Complete (includes: #4, 5, 6, 7, 9, 11)	1 set	65.58
12	100641 Power Cord (18" 14/3) Assembly	1 set	19.03
13	101610 Switch Cord Assembly (includes: #14,15)	1 set	36.73
	101714 Switch Cord w/Crimps	1 ea.	16.28
14	101472 Switch Box w/Velcro and New Lamb Switch	1 set	23.60
15	106066 On/Off Switch (must use with #106287)	1 ea.	7.14
	106287 Switch Box w/Velcro and Screws	1 ea.	17.61
16	105070 Bottom Twist Cap (Black)	1 ea.	39.34
17	100597 Sound Muffler	1 ea.	28.97
18	105044 Motor Shroud/Diffuser w/Screw Set: 2 Screws	1 set	22.48
19	100335 Motor Compression Ring w/Screws	1 set	11.15
	100378 Compression Ring Screw Set: 4 Screws	1 set	2.95
20	100014 Tetraseal	1 ea.	11.81
21	105164 Carbon Brush Set for MegaVac Motor (Domel Motor)	1 set	20.98
	101720 Carbon Brush Set for MegaVac Motor (Ametek Motor)	1 set	20.98
22	105162 Motor/Fan (120V) w/Crimps for MegaVac	1 set	118.04
	100379 Motor Ground and Wire Clamp Set w/Screws	1 set	5.90
	100380 Motor Crimp Set: 4 Female, 4 Male, Ground Crimp Connector	1 set	10.49
23	100368 Motor Mounting System Set: 3 Well Nuts, 3 Bolts, 3 Washers, 3 Covers	1 set	13.11
24	100030 Dome Filter w/Foam Media	1 ea.	7.88
25	100343 Foam Filter Media for Dome Filter	1 ea.	1.32
	101220 High Filtration Disk (optional)	2/pk	10.59
26	104998 Bottom Twist Cap Gasket	1 ea.	9.18
27	103048 Static-Dissipating Hose w/Cuffs (Black)	1 ea.	24.93
28	101928 Replacement Double Swivel Elbow Cuff (Black)	1 ea.	9.06
29	100694 Replacement Swivel Cuff (Black) 1 1/2"	1 ea.	5.39
30	101543 Filter Guard (Optional)	1 ea.	9.47
31	103476 Thermal Protector	1 ea.	14.39
	101678 50' Extension Cord (Not Shown)	1 ea.	32.60

SUPER QUARTERVAC/SUPER QUARTERVAC HEPA PARTS

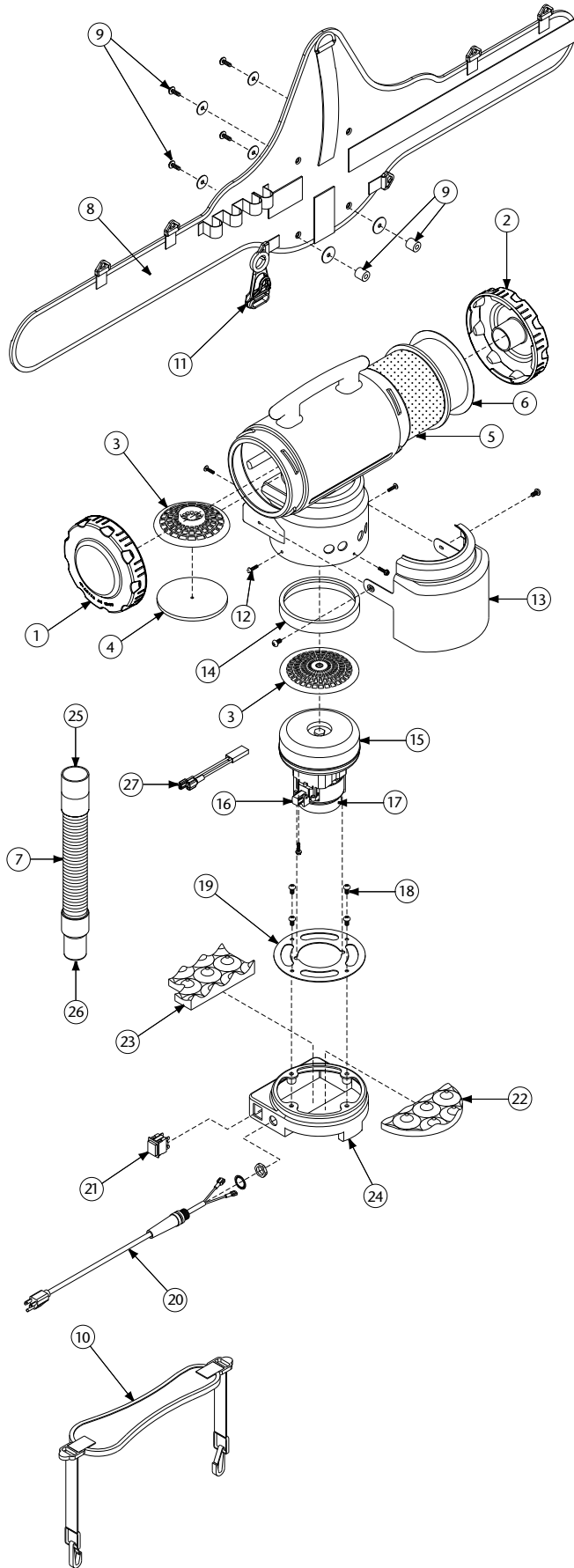


No.	Product Name	Qty	List Price
1	101928 Replacement Double Swivel Elbow Cuff (Black) 1 1/2"	1 ea.	\$ 9.06
2	106073 Twist Cap (Purple)	1 ea.	28.85
3	100431 496 Sq. In. Intercept Micro Filter	10/pk	15.60
4	100564 Micro Cloth Filter	1 ea.	24.45
5	103048 Static-Dissipating Hose (Black) w/Cuffs 1 1/2"	1 ea.	24.93
6	100694 Replacement Swivel Cuff (Black) 1 1/2"	1 ea.	5.39
7	100030 Dome Filter w/Foam Media	1 ea.	7.88
8	100343 Foam Filter Media for Dome Filter	1 ea.	1.32
	101220 High Filtration Disk (optional)	2/pk	10.59
9	100586 Bottom Bumper	1 set	7.22
10	100014 Tetraseal	1 ea.	11.81
11	105162 Motor/Fan (120 V) w/Crimps	1 ea.	118.24
	100379 Motor Ground Wire Clamp Set w/Screws	1 set	5.90
	100380 Motor Crimp Set: 4 Female, 4 Male, Ground Crimp Connector	1 set	10.49
12	105164 Carbon Brush Set (Domel)	1 set	20.98
	101720 Carbon Brush Set (Ametek)	1 set	20.98
13	100335 Motor Compression Ring w/Screws	1 set	11.15
	100378 Compression Ring Screws: 4 Screws	1 set	2.95
14	105044 Motor Shroud/Diffuser w/Screw Set: 2 Screws	1 set	22.48
15	105800 Sound Muffler	1 ea.	28.97
16	100368 Motor Mounting System Set: 3 Well Nuts, 3 Bolts, 3 Washers, 3 Covers	1 set	13.11
17	101714 Switch Cord w/Crimps	1 set	16.28
	101610 Switch Cord Assembly (includes: #17, 18, 19)	1 ea.	36.73
18	106066 On/Off Switch (must use with #106287)	1 ea.	7.14
19	101472 Switch Box w/Velcro and New Lamb Switch	1 set	23.60
	106287 Switch Box w/Velcro and Screws	1 ea.	17.61
20	100641 Power Cord (18" 14/3) Assembly	1 set	19.03
21	102604 Schulte Cord Holder	1 ea.	8.77
22	100358 Shoulder Strap Plastic Adjustment Buckle (Top)	1 ea.	.99
23	101737 Carry Handle w/Rivet and Washer Set	1 set	8.54
24	103627 Sternum Strap Buckles (Latch and Keeper)	1 set	2.10
25	106719 Waist Belt Keeper and Latch	1 ea.	11.89
26	100359 Waist Belt (includes: #25)	1 ea.	39.34
27	100375 Barrel Nut Connection Set for Backplate (Replacement)	1 set	5.90
28	100357 Shoulder Strap Plastic Adjustment Buckle (Bottom)	1 ea.	.99
29	105046 Backplate (includes: #27)	1 ea.	26.24
	103166 Backplate System Complete (includes: #21, 23, 26, 29, 30, 31)	1 set	65.58
30	100716 Backplate (Black) Connection Set: 4 Screws w/Washers	1 set	13.11
31	100356 Shoulder Strap Assembly (includes: #22, 24, 28)	1 set	17.05
	100354 Strap Assembly Complete (includes: #26, 31)	1 set	52.47
32	103476 Thermal Protector	1 ea.	14.39
33	106526 Replacement HEPA Dome Filter	1 ea.	11.54
	101678 50' Extension Cord (Not Shown)	1 ea.	32.60

QUARTERVAC PARTS

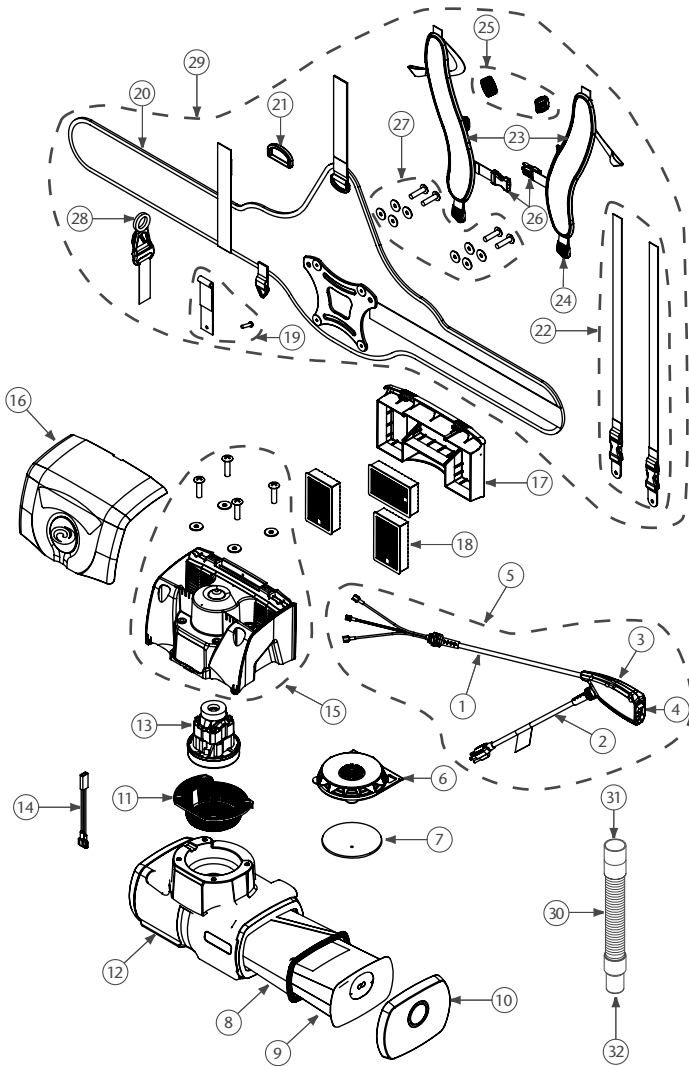


No.	Product Name	Qty	List Price
1	104273 Twist Cap (Black)	1 ea.	\$28.85
2	100431 496 Sq. In. Intercept Micro Filter	10/pk	15.60
3	100564 Micro Cloth Filter	1 ea.	24.45
4	102604 Schulte Cord Holder	1 ea.	8.77
5	101737 Carry Handle w/Rivet and Washer Set	1 set	8.54
6	100356 Shoulder Strap Assembly (includes: #6a, 6b, 6c)	1 set	17.05
6a	100358 Shoulder Strap Plastic Adjustment Buckle (Top)	1 ea.	.99
6b	100357 Shoulder Strap Plastic Adjustment Buckle (Bottom)	1 ea.	.99
6c	103627 Sternum Strap Buckles (Latch and Keeper)	1 set	2.10
7	105046 Backplate (includes: #8)	1 ea.	26.24
8	100375 Barrel Nut Connection Set for Backplate (Replacement)	1 set	5.90
9	100716 Backplate (Black) Connection Set: 4 Screws w/Washers	1 set	13.11
10	106719 Waist Belt Keeper and Latch	1 ea.	11.89
11	100359 Waist Belt (includes: #10)	1 ea.	39.34
	100354 Strap Assembly Complete (includes: #6, 11)	1 set	52.47
	103166 Backplate (Black) System Complete (includes: #4, 5, 6, 7, 9, 11)	1 set	65.58
12	100641 Power Cord (18" 14/3) Assembly	1 set	19.03
13	101714 Switch Cord w/Crimps	1 set	16.28
	101610 Switch Cord Assembly (includes: #13, 14, 15)	1 ea.	36.73
14	101472 Switch Box w/Velcro and New Lamb Switch	1 set	23.60
	106287 Switch Box w/Velcro and Screws	1 ea.	17.61
15	106066 On/Off Switch (must use with 106287)	1 ea.	7.14
16	100698 Sound Muffler	1 ea.	28.97
17	105044 Motor Shroud Diffuser w/Screw Set: 2 Screws	1 set	22.48
18	100335 Motor Compression Ring w/Screws	1 set	11.15
	100378 Compression Ring Screws: 4 Screws	1 set	2.95
19	100014 Tetraseal	1 ea.	11.81
20	105697 Carbon Brush Set (Domel Motor)	1 set	20.98
	101531 Carbon Brush Set (Ametek Motor) (116309-00)	1 set	20.98
	106904 Carbon Brush Set (Ametek Motor) (122157-00)	1 set	20.98
21	100422 Motor/Fan (120 V) w/Crimps	1 ea.	88.67
	100379 Motor Ground Wire Clamp Set w/Screws	1 set	5.90
	100380 Motor Crimp Set: 4 Female, 4 Male, Ground Crimp Connector	1 set	10.49
22	100586 Bottom Bumper	1 set	7.22
23	100368 Motor Mounting System Set: 3 Well Nuts, 3 Bolts, 3 Washers, 3 Covers	1 set	13.11
24	100030 Dome Filter w/Foam Media	1 ea.	7.88
	100343 Foam Filter Media for Dome Filter	1 ea.	1.32
	101220 High Filtration Disk (optional)	2/pk	10.59
26	103048 Static-Dissipating Hose (Black) w/Cuffs 1 1/2"	1 ea.	24.93
27	101928 Replacement Double Swivel Elbow Cuff (Black) 1 1/2"	1 ea.	9.06
28	100694 Replacement Swivel Cuff (Black) 1 1/2"	1 ea.	5.39
29	103476 Thermal Protector	1 ea.	14.39
	101678 50' Extension Cord (Not Shown)	1 ea.	32.60



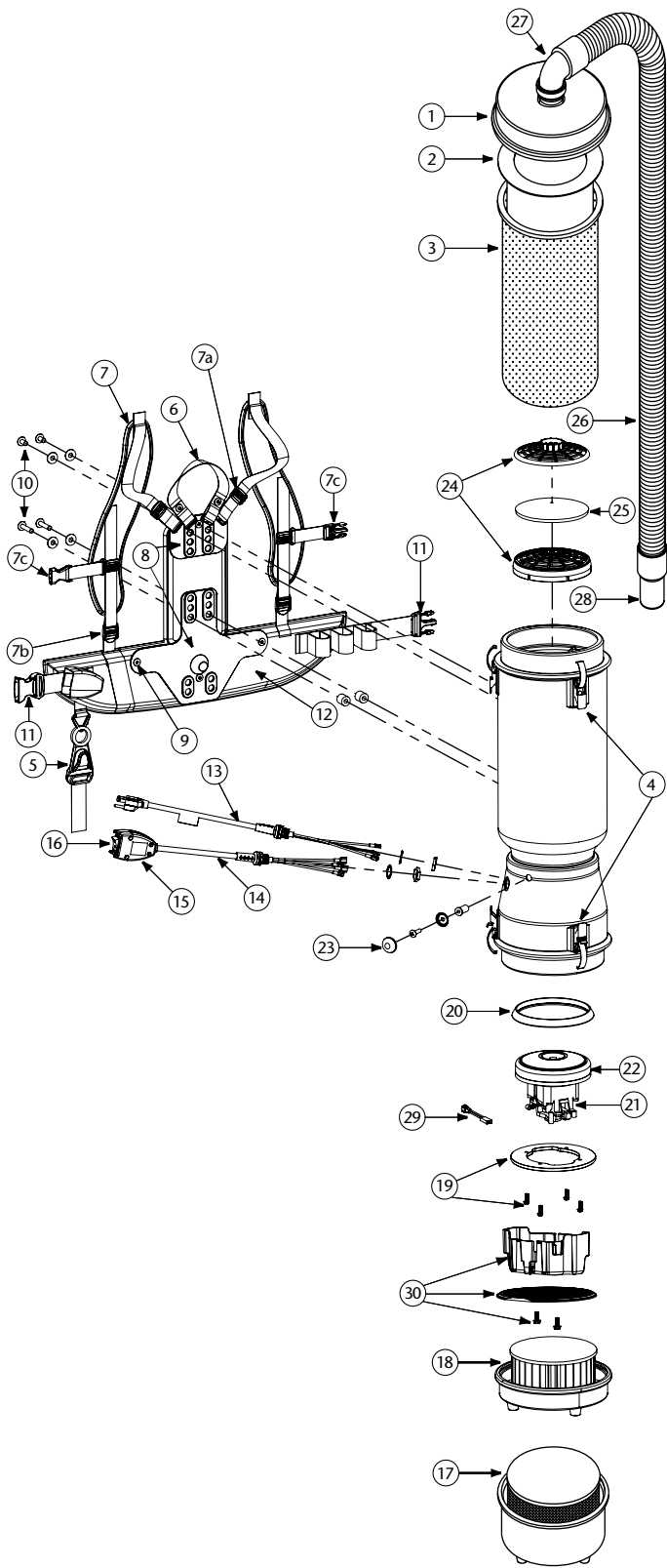
No.	Product Name	Qty	List Price
1	101288 Blind Twist Cap Assembly (Grey)	1 ea.	\$ 28.85
2	101934 Twist Cap for Hose Cuff (Grey)	1 ea.	28.85
	102844 Gasket for Blind Twist Cap (Not Shown)	1 ea.	4.91
3	102784 Dome Filter w/Foam Media	1 ea.	7.88
4	101949 Foam Filter Media for Dome Filter	1 ea.	1.32
	102761 High Filtration Disc (optional)	2/pk	10.80
5	100564 Micro Cloth Filter	1 ea.	24.45
6	100431 496 sq. in. Reusable Intercept Micro Filter	10/pk	15.60
7	101184 Stretch Hose w/Cuffs 1 1/4" (Black)	1 ea.	22.96
	101705 Stretch Hose w/Cuffs 1 1/2" (Black)	1 ea.	28.51
8	102878 Waist Belt w/Velcro®	1 ea.	42.95
	103025 Retrofit set: Waist Belt and Monostrap	1 set	61.85
9	101274 Waist Belt Connection Set: 4 Screws, 6 Washers, 2 Stand-offs	1 set	6.41
10	102879 Monostrap Assembly	1 ea.	19.69
11	102604 Shulte Cord Holder	1 ea.	8.77
12	101272 Step Cap Screw Kit: 4 Screws	1 set	3.28
13	101711 Shroud Retro Kit (Grey) w/2 Screws	1 ea.	26.24
14	103236 Motor Seal	1 ea.	6.56
15	101189 Motor/Fan (120 V) w/Crimps (Ametek)	1 ea.	128.00
16	102988 Carbon Brush Set for Motor (Ametek)	1 set	20.98
17	103043 Fan and Brush Cover Kit	1 ea.	19.90
18	101271 Motor Mount Screw Kit: 5 Screws, 4 Washers, 1 Nut	1 ea.	1.97
19	100950 Director Plate	1 ea.	12.33
20	101713 Power Cord (18" 14/3) Assembly Complete w/Strain Relief with Locknut and Washer	1 set	19.03
21	100743 Double Pole On/Off Switch	1 ea.	7.14
22	101228 Front Sound Foam Baffle	1 ea.	4.60
23	101229 Rear Sound Foam Baffle	1 ea.	3.94
24	103262 Step Cap (Grey) w/Attached Front Sound Foam	1 set	32.79
25	101437 Replacement Fixed Hose Cuff (Black) 1 1/2"-1 1/4"	1 ea.	5.60
	107220 Replacement Swivel Cuff (Black) 1 1/2"	1 ea.	6.41
26	101436 Replacement Swivel Cuff (Black) 1 1/4"	1 ea.	7.85
	107220 Replacement Swivel Cuff (Black) 1 1/2"	1 ea.	6.41
	102715 Swivel Elbow 1 1/2"	1 ea.	9.66
27	105648 Thermal Protector	1 ea.	18.74
	101678 50' Extension Cord (Not Shown)	1 ea.	32.60

SUPER HALFVAC HEPA PARTS



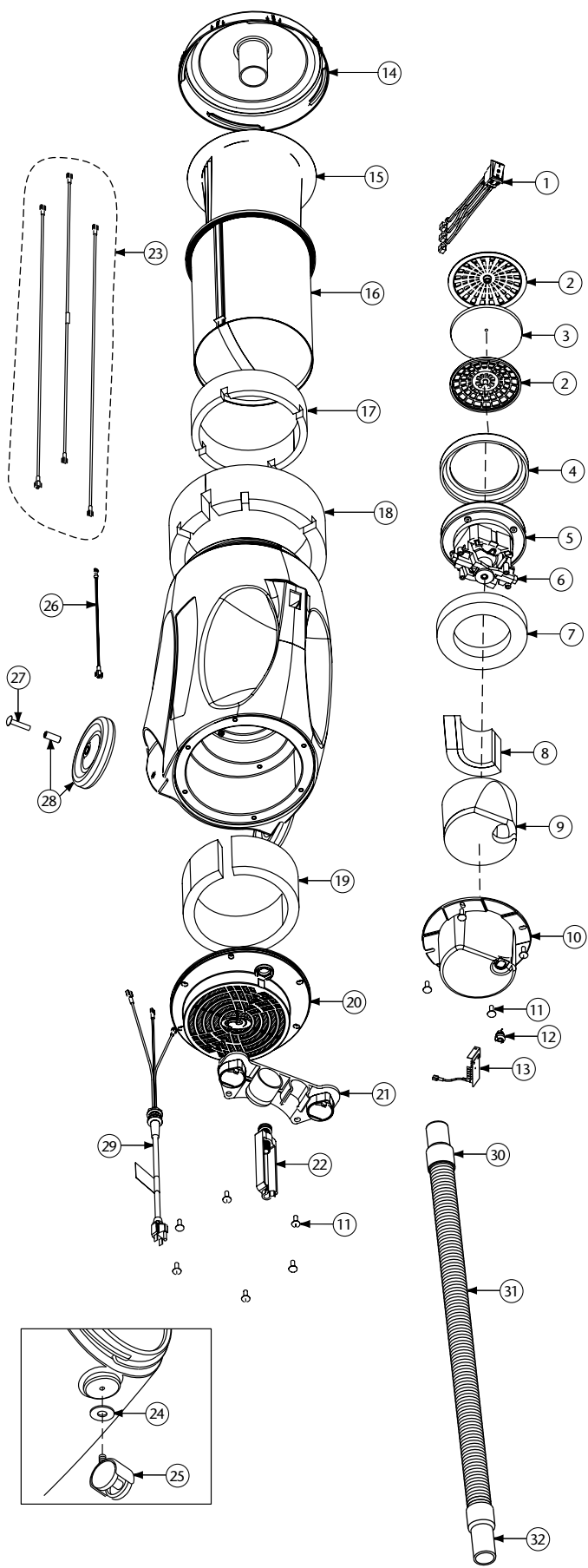
No.	Product Name	Qty	List Price
1	107044 Switch Cord Assembly	1 ea.	\$16.28
2	107042 Power Cord Assembly	1 ea.	19.03
3	107043 Switch Box	1 ea.	17.61
4	106066 On/Off Switch	1 ea.	7.14
5	107041 Switch and Power Cord Assembly	1 set	55.76
6	107054 Plastic Dome Filter	1 ea.	7.88
7	107060 Foam Filter Media	1 ea.	1.32
8	107040 Micro Cloth Filter	1 ea.	24.45
9	106973 496 sq. in. Intercept Micro Filter (closed collar)	10/pk.	24.47
	106960 496 sq. in. Intercept Micro Filter (open collar)	10/pk.	28.80
10	107053 End Cap	1 ea.	15.32
11	107055 Vibration Dampener	1 ea.	5.02
12	107056 Bag Housing w/Decals	1 ea.	40.94
13	107046 Motor Assembly	1 ea.	103.90
	107045 Wire Kit	1 ea.	4.04
14	107083 Thermal Protector	1 ea.	14.39
15	107057 Upper Housing w/Screws & Washers	1 set	37.75
16	107058 Overlap Housing w/Screws	1 set	31.76
17	107059 HEPA Filter Housing	1 ea.	13.18
18	107005 HEPA Cartridge	1 ea.	5.78
19	107048 Stabilization Strap w/Screw	1 ea.	1.63
20	107047 Waist Belt w/Plate (includes hardware kit)	1 ea.	54.97
21	107051 D-Ring	1 ea.	0.72
22	107049 Length Adjustment Strap Kit w/Buckles	1 set	9.33
23	100356 Shoulder Strap Assembly (includes: #24, 25, 26)	1 set	17.05
24	100357 Shoulder Strap Plastic Adj. Buckle (Bottom)	1 ea.	0.99
25	100358 Shoulder Strap Plastic Adj. Buckle (Top)	1 ea.	0.99
26	103627 Sternum Strap Buckles (Latch & Keeper)	1 set	2.10
27	107052 Waist Belt Assembly & Upper Housing Screw Kit	1 set	7.13
28	102604 Schulte Cord Holder	1 ea.	8.77
29	107050 Waist Belt, Complete, w/Mounting Hardware (includes: #19,20,21,22,23,27,28)	1 set	81.74
30	101705 Stretch Hose w/Cuffs 1½" (Black)	1 ea.	28.51
	101184 Stretch Hose w/Cuffs 1¼" (Black)	1 ea.	22.96
31	101437 Replacement Fixed Hose Cuff (Black) 1¼"	1 ea.	5.60
32	101436 Replacement Swivel Cuff (Black) 1¼"	1 ea.	7.85
	107220 Replacement Swivel Cuff (Black) 1½"	1 ea.	6.41
	101678 50' Extension Cord (not shown)	1 ea.	32.60

LINEVACER PARTS



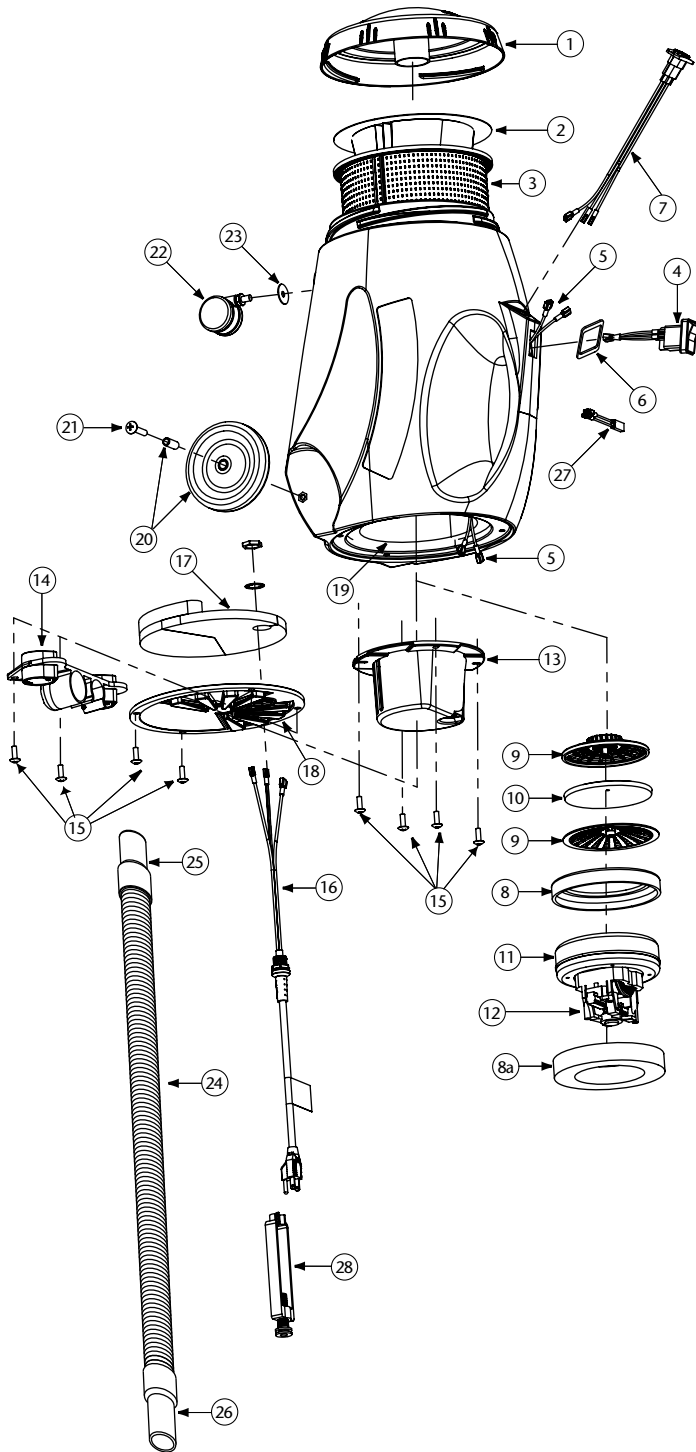
No.	Product Name	Qty	List Price
1	104276 Latch Cap w/Cuff (Black)	1 ea.	\$ 38.69
2	100291 698 Sq. In. Intercept Micro Filter	10/pk	31.10
3	100565 Micro Cloth Filter	1 ea.	29.60
4	100286 Top or Bottom Cap Latch Set: 3 Latches, 3 Locks w/6 Fastening Rivets, 6 Washers	1 set	28.35
5	102604 Schulte Cord Holder	1 ea.	8.77
6	101737 Carry Handle w/Rivet and Washer Set	1 set	8.54
7	100356 Shoulder Strap Assembly (includes: #7a, 7b, 7c)	1 set	17.05
7a	100358 Shoulder Strap Plastic Adjustment (Top)	1 ea.	.99
7b	100357 Shoulder Strap Plastic Adjustment (Bottom)	1 ea.	.99
7c	103627 Sternum Strap Buckles (Latch and Keeper)	1 set	2.10
8	105046 Backplate (includes: #9)	1 ea.	26.24
9	100375 Barrel Nut Connection Set for Backplate (Replacement)	1 set	5.90
10	100374 Backplate Connection Set: 4 Screws w/Washers, Stand Offs	1 set	13.11
11	106719 Waist Belt Keeper and Latch	1 ea.	11.89
12	100359 Waist Belt (includes: #11)	1 ea.	39.34
	100354 Strap Assembly Complete (includes: #7, 12)	1 set	52.47
	103166 Backplate System Complete (includes: #5, 6, 7, 8, 10, 12)	1 set	65.58
13	100641 Power Cord (18" 14/3) Assembly Complete	1 set	19.03
14	101610 Switch Cord Assembly 120V (includes: #14, 15, 16)	1 set	36.73
	101714 Switch Cord w/Crimps	1 ea.	16.28
	101716 18" Switch Cord Assembly Complete 120V	1 set	39.34
15	101472 Switch Box w/Velcro and New Lamb Switch	1 set	23.60
	106287 Switch Box w/Velcro and Screws	1 ea.	17.61
16	106066 On/Off Switch (must use with #106287)	1 ea.	7.14
17	104275 ULPA Filter Assembly Complete w/Bottom Cap (100280, 100282)	1 set	314.48
18	104274 HEPA Filter Assembly Complete w/Bottom Cap (100277, 100279)	1 set	242.64
19	100335 Motor Compression Ring w/Screws	1 set	11.15
	100378 Compression Ring Screw Set: 4 Screws	1 set	2.95
20	100014 Tetraseal	1 ea.	11.81
21	105697 Carbon Brush Set (Domel Motor)	1 set	20.98
	100424 Carbon Brush Set (Ametek Motor) (116311-00)	1 set	20.98
	106904 Carbon Brush Set (Ametek Motor) (122157-00)	1 set	20.98
22	100422 Motor/Fan (120 V) w/Crimps (Ametek Motor)	1 ea.	88.67
	100380 Motor Crimp Set: 4 female, 4 Male and a Ground Crimp Connector	1 set	10.49
	100379 Motor Ground, Wire Clamp Set w/Screws	1 set	5.90
23	100368 Motor Mounting System Set: 3 Well Nuts, 3 Bolts, 3 Washers, 3 Covers	1 set	13.11
24	100030 Dome Filter w/Foam Media	1 ea.	7.88
25	100343 Foam Filter Media for Dome Filter	1 ea.	1.32
26	103048 Static-Dissipating Hose w/Cuffs (Black)	1 ea.	24.93
27	101928 Replacement Double Swivel Elbow Cuff (Black)	1 ea.	9.06
28	100694 Replacement Swivel Cuff (Black) 1 1/2"	1 ea.	5.39
29	103476 Thermal Protector	1 ea.	14.39
30	105044 Motor Shroud/Diffuser w/Screw Set: 2 Screws	1 set	22.48
	101678 50' Extension Cord (Not Shown)	1 ea.	32.60

QUIETPRO CN HEPA PARTS



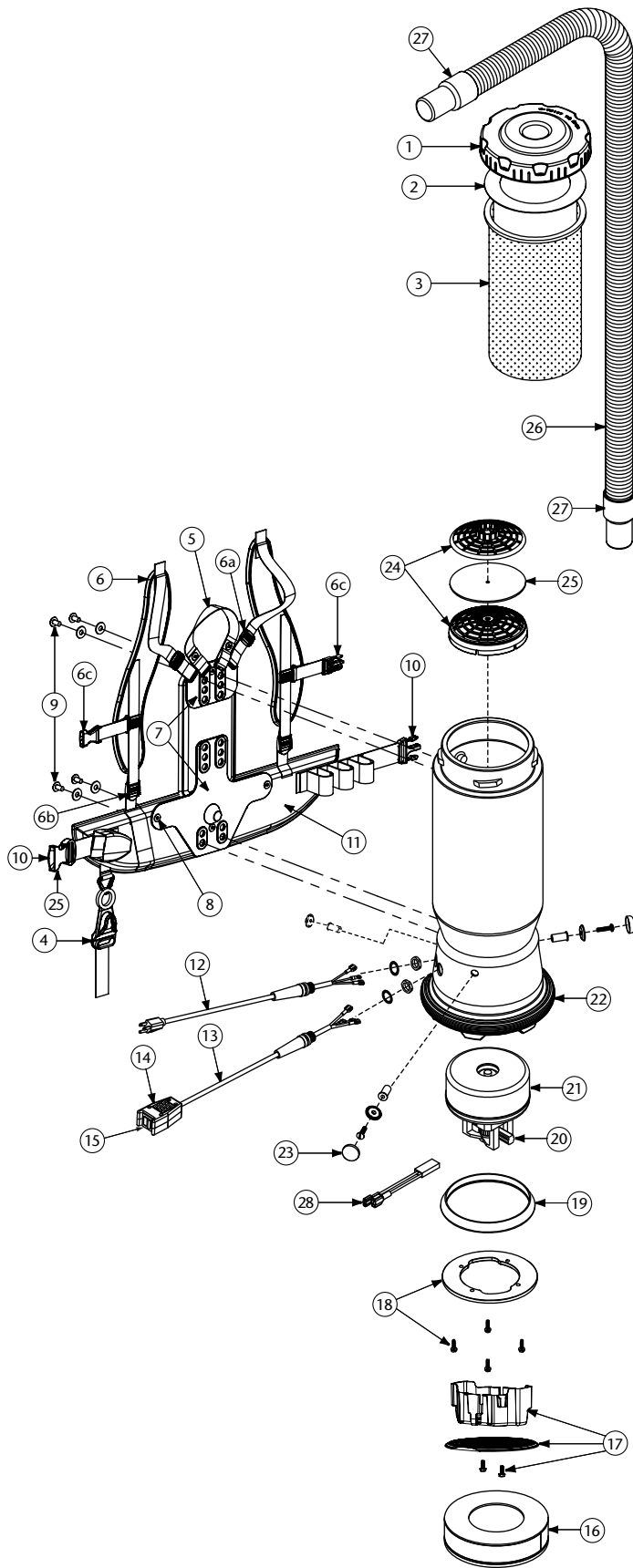
No.	Product Name	Qty	List Price
1	105991 On/Off Switch (2 Stage)	1 ea.	\$ 16.07
2	102784 Dome Filter w/Filter Media	1 ea.	7.88
3	101949 Replacement Foam Media for Dome Filter	1 ea.	1.32
	102761 High Filtration Disk (Optional)	2/pk	10.80
4	103236 Motor Seal	1 ea.	6.56
5	106919 Motor/Fan (120V) w/Crimps (Ametek Motor)	1 ea.	96.53
6	105697 Carbon Brush Set (Domel Motor)	1 set	20.98
	106904 Carbon Brush Set (Ametek Motor) (122157-00)	1 set	20.98
7	105430 Upper Foam Compression Ring	1 ea.	14.49
8	105949 Noise Supression Filter Assembly	1 ea.	21.01
9	105948 Noise Supression Foam	1 ea.	11.93
10	103121 Motor Mount	1 ea.	21.23
11	103266 Motor Mount and Vented Exhaust Cover		
	Screw Kit	1 set	5.84
12	102127 Small Strain Relief	1 ea.	.29
13	105653 Dual Speed Module and Schematic with Thermal Protector	1 ea.	60.19
14	103318 Top Cap, Black	1 ea.	34.10
15	104544 698 Sq. In. Intercept Micro Filter	10/pk	24.97
16	103115 Micro Cloth Filter	1 ea.	30.88
17	103125 Foam Inlet Damper B	1 ea.	9.86
18	103124 Foam Inlet Damper A	1 ea.	14.01
19	103256 Rear Foam Diffuser	1 ea.	11.81
20	103638 Replacement HEPA Filter Kit and Mounting Screw (includes: #29)	1 ea.	123.67
21	103117 Tool Dock	1 ea.	19.69
22	103441 Cord Lock	1 ea.	12.34
23	106203 Wire Harness Assembly: 3 Wires and Strain Relief	1 set	22.71
24	103545 Conical Washer for Swivel Caster	1 set	4.32
25	103114 Swivel Caster	1 ea.	11.81
26	106107 Ground Jumper	1 ea.	9.66
27	103268 Rear Wheel Mounting Screw Kit: 2 Screws	1 set	3.02
28	103267 Rear Wheel Assembly Kit: 2 Wheels, 2 Spacers, 2 Screws	1 set	18.76
29	103215 Power Cord (18" 14/3) Assembly w/Locknut and Washer	1 ea.	19.03
30	100694 Replacement Swivel Cuff (Black) 1 1/2"	1 ea.	5.39
31	103172 78" Static Dissipating Hose w/Cuffs (Black) 1 1/2"	1 set	34.10
32	103150 Replacement Long Swivel Cuff (Black) 1 1/2"	1 ea.	11.19
	101678 50' Extension Cord (Not Shown)	1 ea.	32.60

RUNNINGVAC/PROVAC CN PARTS



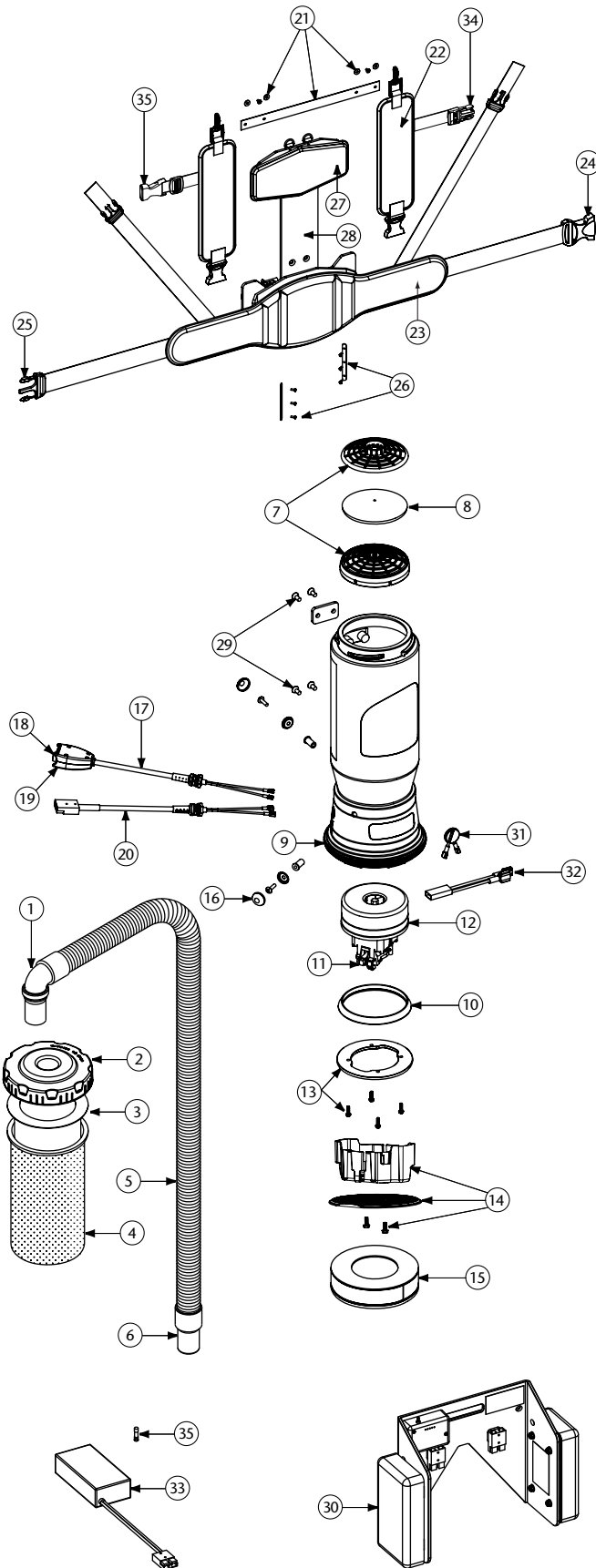
No.	Product Name	Qty	List Price
1	103318 Top Cap, Black (ProVac CN)	1 ea.	\$ 34.10
	106889 Top Cap, Purple (RunningVac)	1 ea.	34.10
2	104544 698 Sq. In. Intercept Micro Filter	10/pk	24.97
3	103115 Micro Cloth Filter	1 ea.	30.88
4	103327 On/Off Switch	1 ea.	23.52
5	103212 Wire Harness Assembly: 3 Wires and Strain Relief	1 set	13.49
6	106110 Gasket	1 ea.	3.26
7	105047 Receptacle Assembly for Powerhead (ProVac CN Only)	1 ea.	6.98
8	103236 Motor Seal	1 ea.	6.56
8a	105430 Upper Foam Compression Ring	1 ea.	14.49
9	102784 Dome Filter w/Filter Media	1 ea.	7.88
10	101949 Replacement Foam Media for Dome Filter	1 ea.	1.32
	102761 High Filtration Disk (Optional)	2/pk	10.80
11	105687 Motor/Fan (120V)	1 ea.	118.04
12	105164 Carbon Brush Set (Domel Motor)	1 set	20.98
	101720 Carbon Brush Set (Ametek Motor)	1 set	20.98
13	103121 Motor Mount	1 ea.	21.23
14	103117 Tool Dock	1 ea.	19.69
15	103266 Motor Mount and Vented Exhaust Cover Screw Kit	1 set	5.84
16	103215 Power Cord (18" 14/3) Assembly w/Locknut and Washer	1 ea.	19.03
17	103123 Exhaust Foam	1 ea.	19.06
18	103360 Cover Assembly, Vented Exhaust	1 ea.	31.24
19	103256 Rear Foam Diffuser	1 ea.	11.81
	103124 Foam Inlet Damper A (not shown)	1 ea.	14.01
	103125 Foam Inlet Damper B (not shown)	1 ea.	9.86
20	103267 Rear Wheel Assembly Kit: 2 Wheels, 2 Spacers, 2 Screws	1 set	18.76
21	103268 Rear Wheel Mounting Screw Kit: 2 Screws	1 set	3.02
22	103114 Swivel Caster (Front Wheel)	1 ea.	11.81
23	103545 Conical Washer for Swivel Caster	1 set	4.32
24	103172 78" Static Dissipating Hose w/Cuffs (Black) 1 1/2"	1 set	34.10
25	100694 Replacement Swivel Cuff (Black) 1 1/2"	1 ea.	5.39
26	103150 Replacement Long Swivel Cuff (Black) 1 1/2"	1 ea.	11.19
27	103476 Thermal Protector	1 ea.	14.39
28	103441 Cord Lock	1 ea.	12.34
	101678 50' Extension Cord (Not Shown)	1 ea.	32.60

PROVAC BP/AVIATIONVAC PARTS

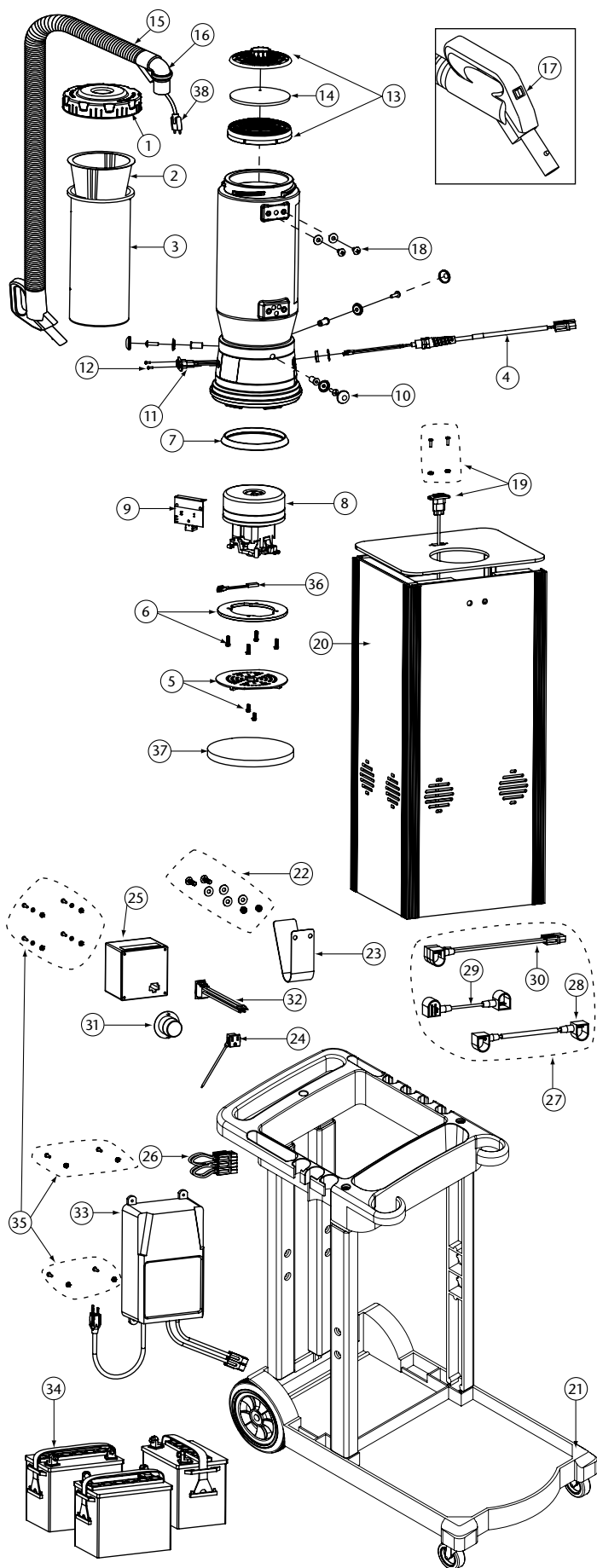


No.	Product Name	Qty	List Price
1	104273 Twist Cap (Black)	1 ea.	\$ 28.85
2	100431 496 Sq. In. Intercept Micro Filter	10/pk	15.60
3	100564 Micro Cloth Filter	1 ea.	24.45
4	102604 Shoulder Cord Holder	1 ea.	8.77
5	101737 Carry Handle w/Rivet and Washer Set	1 set	8.54
6	100356 Shoulder Strap Assembly (includes: #6a, 6b, 6c)	1 set	17.05
6a	100358 Shoulder Strap Plastic Adjustment (Top)	1 ea.	.99
6b	100357 Shoulder Strap Plastic Adjustment (Bottom)	1 ea.	.99
6c	103627 Sternum Strap Buckles (Latch and Keeper)	1 set	2.10
7	105046 Backplate (includes: #8)	1 ea.	26.24
8	100375 Barrel Nut Connection Set for Backplate (Replacement)	1 set	5.90
9	100716 Backplate (Black) Connection Set: 4 Screws w/Washers	1 set	13.11
10	106719 Waist Belt Keeper and Latch	1 ea.	11.89
11	100359 Waist Belt (includes: #10)	1 ea.	39.34
	100354 Strap Assembly Complete (includes: #6, 11)	1 set	52.47
	103166 Backplate System Complete (includes: #4, 5, 6, 7, 9, 11)	1 set	65.58
12	100641 Power Cord (18" 14/3) Assembly	1 set	19.03
13	101610 Switch Cord Assembly Complete (includes: #14, 15)	1 set	36.73
	101714 Switch Cord w/Crimps	1 ea.	16.28
	101715 Switch Cord w/Crimps (AviationVac)	1 ea.	16.28
	101717 Switch Cord Assembly Complete w/Switch and Box (AviationVac)	1 ea.	36.73
14	101472 Switch Box w/Velcro and New Lamb Switch	1 set	23.60
	106287 Switch Box w/Velcro and Screws	1 ea.	17.61
15	106066 On/Off Switch (Must be Used with 106287)	1 ea.	7.14
16	105800 Sound Muffler	1 ea.	28.97
17	105044 Motor Shroud/Diffuser w/Screw Set: 2 Screws	1 set	22.48
18	100335 Motor Compression Ring w/Screws	1 set	11.15
	100378 Compression Ring Screw Set: 4 Screws	1 set	2.95
19	100014 Tetraseal	1 ea.	11.81
20	105697 Carbon Brush Set for ProVac BP Motor (Domel Motor)	1 set	20.98
	100424 Carbon Brush Set for ProVac BP Motor (Ametek Motor) (116311-00)	1 set	20.98
	106904 Carbon Brush Set (Ametek Motor) (122157-00)	1 set	20.98
	100173 Carbon Brush Set for 400 Hz Motor (AviationVac)	1 set	97.28
21	100422 Motor/Fan (120 V) w/Crimps for ProVac BP	1 ea.	88.67
	100171 Motor/Fan w/Rectifier and Crimps (400Hz) (ProVac BP/AviationVac)	1 set	199.47
	100174 Motor Rectifier (ProVac BP/AviationVac)	1 ea.	28.85
	100379 Motor Ground Connection and Wire Clamp Set w/Screws	1 set	5.90
	100380 Motor Crimp Set: 4 Female, 4 Male, Ground Crimp Connector	1 set	10.49
22	100586 Bottom Bumper	1 ea.	7.22
23	100368 Motor Mounting System Set: 3 Well Nuts, 3 Bolts, 3 Washers, 3 Covers	1 set	13.11
24	100030 Dome Filter w/Foam Media	1 ea.	7.88
25	100343 Foam Filter Media for Dome Filter	1 ea.	1.32
	101220 High Filtration Disk (Optional)	2/pk	10.59
26	100505 Static-Dissipating Hose (Black) w/Cuffs 1 1/2", PV	1 ea.	26.18
	103237 Static-Dissipating Hose (AviationVac) 1 1/4" (Black)	1 ea.	26.18
	103048 Static-Dissipating Hose (AviationVac) 1 1/2" (Black)	1 ea.	24.93
27	100694 Replacement Swivel Cuff (Black) 1 1/2"	1 ea.	5.39
	102715 Replacement Double Swivel Elbow Cuff 1 1/4" (Black) (AviationVac)	1 ea.	9.66
	103279 Replacement Swivel Cuff 1 1/4" (Black)(AviationVac)	1 ea.	6.69
28	103476 Thermal Protector	1 ea.	14.39
	101678 50' Extension Cord (Not Shown)	1 ea.	32.60

GOVAC BP PARTS

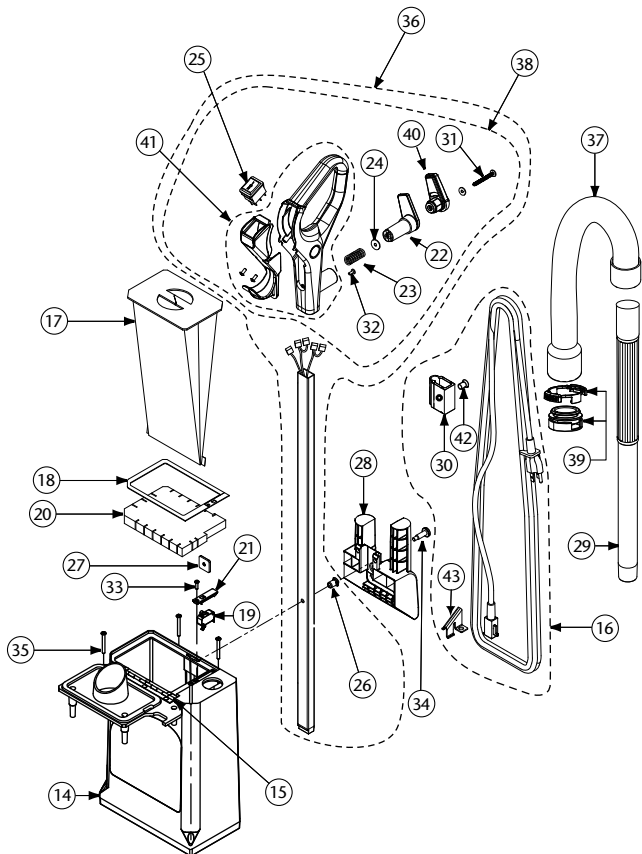
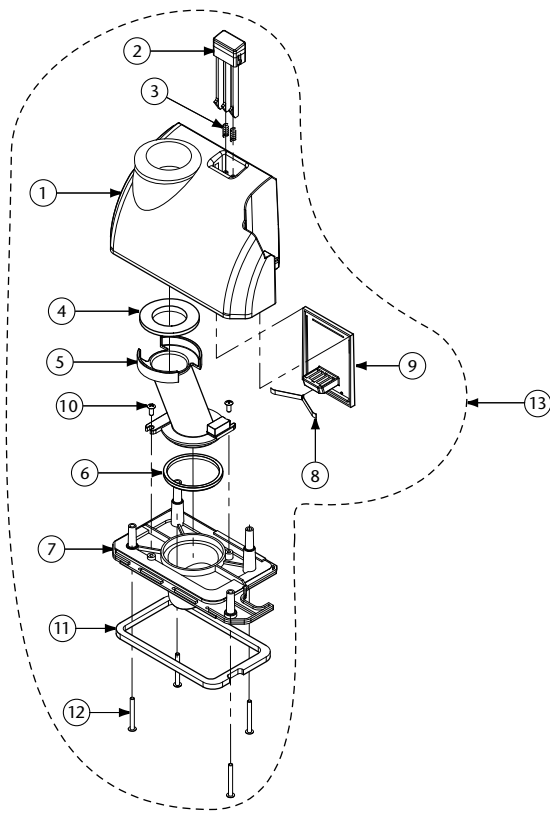


No.	Product Name	Qty	List Price
1	102715 Replacement Swivel Elbow Cuff (Black) 1 1/4"	1 ea.	\$ 9.66
2	104273 Twist Cap, Black	1 ea.	28.85
3	100431 496 Sq In Intercept Micro Filter	10 pk	15.60
4	100564 Micro Cloth Filter	1 ea.	24.45
5	103237 Static-Dissipating Hose (Black) w/Cuffs 1 1/4"	1 ea.	26.18
6	103279 Replacement Swivel Cuff (Black) 1 1/4"	1 ea.	6.69
7	100030 Dome Filter w/ Foam Media	1 ea.	7.88
8	100343 Foam Filter Media for Dome Filter	1 ea.	1.32
9	100586 Bottom Bumper	1 ea.	7.22
10	100014 Tetraseal	1 ea.	11.81
11	103731 Carbon Brush Set	1 set	31.49
12	106831 Motor/Fan (36VDC) w/Crimps	1 ea.	271.62
13	100335 Motor Compression Ring w/Screws	1 ea.	11.15
	100378 Compression Ring Screw Set: 4 Screws	1 set	2.95
14	105044 Motor Shroud/Diffuser w/Screw Set: 2 Screws	1 ea.	22.48
15	105800 Sound Muffler	1 ea.	28.97
16	100368 Motor Mounting System Set: 3 well nuts, 3 screws, 3 washers, 3 caps	1 set	13.11
17	106832 Switch Cord Assembly Complete (includes: #18,19)	1 ea.	36.73
18	106066 On/Off Switch	1 ea.	7.14
19	101472 Switch Box w/Velcro and New Lamb Switch	1 ea.	23.60
20	106833 Power Cord Assembly Complete (36VDC)	1 ea.	65.87
21	101737 Carry Handle w/ Rivet and Washer Set	1 set	8.54
22	106834 Shoulder Strap Set with Sternum Strap	1 set	54.08
23	106473 Waist Belt (includes: 23, 25, 26)	1 ea.	85.44
24	101535 Waist Belt Keeper	1 ea.	6.56
25	101534 Waist Belt Latch	1 ea.	6.56
26	106836 Waist Belt Connection Set	1 set	39.34
27	106472 Top Pad for Backplate	1 ea.	39.48
28	106837 Backplate Assembly (includes: 21, 22, 24, 27, 28, 30)	1 ea.	297.41
29	106838 Backplate Connection Set: 4 Screws and Spacer Plate	1 set	13.79
30	106621 Battery Pack Assembly	1 ea.	2,699.00
31	106806 Thermistor Assy, 3 Ohm, F/GoVac	1 ea.	31.36
32	103476 Thermal Protector	1 ea.	14.39
33	106603 Charger Assembly	1 ea.	366.45
34	103627 Sternum Strap Latch and Keeper	1 set	2.10
35	106924 Charger Fuse	1 ea.	5.45



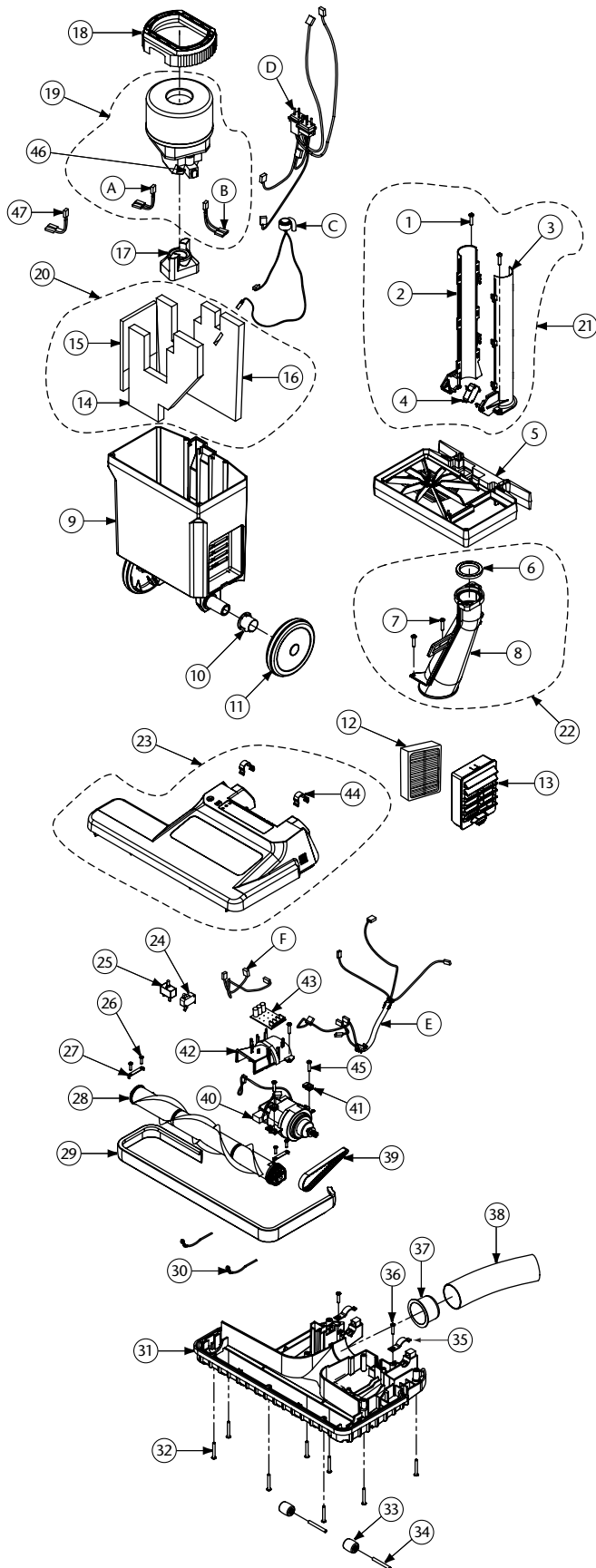
No.	Product Name	Qty	List Price
1	104273 Twist Cap (Black)	1 ea.	\$ 28.85
2	100431 496 Sq. In. Intercept Micro Filter	10/pk	15.60
3	100564 Micro Cloth Filter	1 ea.	24.45
4	106282 Power Cord Replacement, Complete	1 ea.	65.87
5	105044 Motor Shroud/Diffuser w/Screw Set: 2 screws	1 set	22.48
6	100335 Compression Ring w/Connection Screws	1 set	11.15
	100378 Compression Ring Connection Screws	1 set	2.95
7	100014 Tetraseal	1 ea.	11.81
8	103732 36V Motor w/Crimps, Replacement	1 set	194.67
	103731 Carbon Brush Set for 36V motor	1 set	31.49
	103617 Complete 36V Motor Assembly w/Seal, Compression Ring and Control Module (includes: #6, 7, 8, 9)	1 set	312.90
9	105496 Battery Control Module	1 ea.	88.57
10	100368 Motor Mounting System Set	1 set	13.11
11	103916 Receptacle, 2-Wire w/Crimps	1 ea.	7.05
12	104272 Receptacle Screw Set	1 set	2.27
13	100030 Dome Filter w/Foam Media	1 ea.	7.88
14	100343 Foam Filter Media for Dome Filter	1 ea.	1.32
	101220 High Filtration Disk (Optional) (2 pack)	2/pk	10.59
15	103623 Electrified Hose, 1 1/4" x 20' Long, 2-Wire	1 ea.	209.57
16	102715 Replacement Swivel Elbow Cuff, Black	1 ea.	9.66
17	106550 Switch Replacement	1 ea.	8.90
18	106284 Kit, Vacuum Attachment Hardware for Cart	1 ea.	2.85
19	106219 Kit, Power Receptacle Cord	1 set	15.05
20	106211 Box, Sound w/Corner Rails	1 set	484.31
21	106213 Cart Assembly Complete	1 ea.	462.00
22	106214 Kit, Mounting Hardware	1 set	17.31
23	103718 Hose Wrap, Blk	1 ea.	38.37
24	106241 Kit, Receptacle for Box Assembly	1 ea.	9.66
25	106215 Kit, Box Assembly	1 set	127.19
26	106277 Harness, Charging w/Connectors	1 ea.	85.17
27	106216 Kit, Battery Wiring Harness	1 set	108.14
28	106280 Lead, Wire, Battery, Fusible Link, Replacement #8AWG, w/Terminals	1 ea.	35.96
29	106279 Lead, Wire, Battery, Red, #8AWG, w/Terminals	1 ea.	28.13
30	106278 Harness, Battery	1 ea.	54.51
31	106217 Kit, Receptacle	1 set	60.19
32	106281 Switch Assembly w/Crimps	1 ea.	39.74
33	106218 Kit, Charger, 36V, 18.5A, w/Terminals	1 ea.	781.20
34	105828 Battery, Lead Acid, 12V, 37AH	1 ea.	272.54
35	106283 Kit, Attachment Hardware for Charger and Box Assembly	1 ea.	2.85
36	103476 Thermal Protector	1 ea.	14.39
37	106928 Exhaust Muffler	1 ea.	6.08
38	105790 2 Wire Electrified Hose Cord (15")	1 ea.	15.02
	101678 50' Extension Cord (Not Shown)	1 ea.	32.60

PROFORCE 1500XP/1200XP PARTS



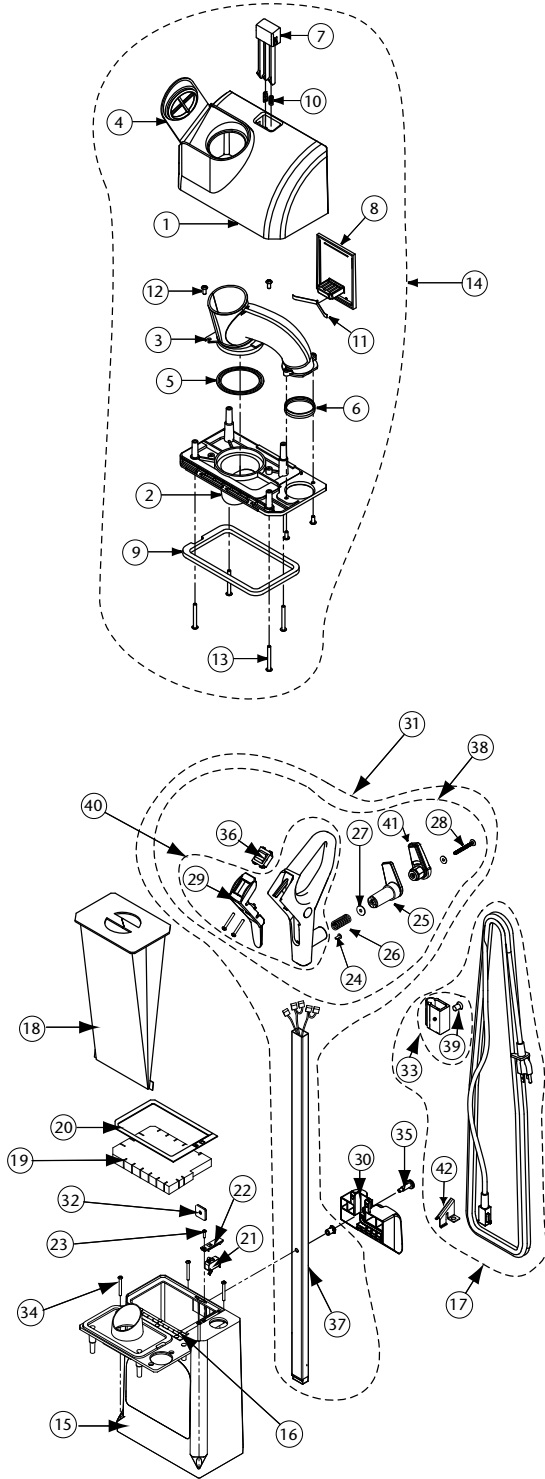
No.	Product Name	Qty	List Price
1	104234 Cover, Bag Housing, Grey F/XP	1 ea.	\$17.37
2	104232 Latch, Release, Bag Cover	1 ea.	4.63
3	104233 Spring, Release Button, F/Bag Cover Latch	2/pk	2.32
4	104235 Seal, Transition Duct/Bag Cover, Upper	1 ea.	3.48
5	104236 Duct, Transition, Bag Cover, F/XP	1 ea.	6.95
6	104238 Seal, Transition Duct/Bag Cover Nozzle Plate, Lower	1 ea.	2.32
7	104239 Plate, Bag Cover Nozzle, F/XP	1 ea.	5.42
8	104242 Spring, Bag Cover Latch	1 ea.	3.48
9	104243 Plate, Bag Cover Latch	1 ea.	2.55
10	104505 Screw, Phillips, 4mm x 9.5mm	2/pk	2.32
11	104241 Gasket, Bag Cover	1 ea.	2.55
12	104493 Screw, Phillips, 4.2mm x 38mm	4/pk	4.25
13	105486 Filter Cover Kit w/Riveted Hinge and 6 Rivets (includes: #1-12)	1 kit	45.84
14	104490 Bag Housing Assembly, Grey w/Riveted Hinge & Decal Includes Bag Cover Nozzle Plate	1 ea.	41.67
	107214 Bag Housing Assembly, Grey w/Riveted Hinge & Decal Includes Bag Cover Nozzle Plate (PF 1200XP)	1 ea.	41.67
15	104491 Rivet F/Bag Housing Assembly	6/pk	3.48
16	104284 Cord, Power, w/Strain Relief, 50' Yellow (includes: #30, 42, 43)	1 ea.	36.73
17	103483 Intercept Micro Filter	10/pk	11.21
18	104738 Seal, Gasket, Bag Housing	1 ea.	2.55
19	104283 Switch, Filter, Lock-Out	1 ea.	10.83
20	104281 Filter, Double Layer Motor Intake	1 ea.	3.03
21	104282 Cover, Switch, Filter Lock-out	1 ea.	2.55
22	104268 Bracket, Cord Wrap	1 ea.	4.63
23	104269 Spring, Compression, Cord Wrap Bracket	1 ea.	2.55
24	104270 Washer, Compression Spring, Cord Wrap Bracket	1 ea.	1.16
25	105147 Switch, Rocker, On/Off	1 ea.	13.89
26	104264 Bushing, Handle Tube	1 ea.	1.28
27	104259 Plate, Handle Nut	1 ea.	1.28
28	104265 Handle, Carry w/Tool Caddy, F/XP	1 ea.	5.79
29	104294 Wand, F/XP	1 ea.	15.28
30	105091 Clasp, Strain Relief Kit w/Fastener (include: #42)	1 ea.	6.37
31	104271 Screw, Cord Wrap, 4mm x 35mm, Phillips Round Head	1 ea.	2.32
32	104509 Screw, Phillips, 4mm x 10mm x .07 Pitch, F/Handle Assembly	1 ea.	2.32
33	105075 Screw, Phillips, 2.9mm x 13mm, F/Switch Cover	1 ea.	4.14
34	104266 Screw, Handle Assembly	1 ea.	1.42
35	104493 Screw, Phillips, 4.2mm x 38mm	4/pk	4.25
36	106618 Handle, Tube Assembly Complete, F/XP (includes: #26, 38)	1 ea.	63.03
37	104961 Hose, Assembly w/Cuffs, F/XP (includes: #39)	1 ea.	44.57
38	106617 Handle Kit (includes: #22, 23, 24, 25, 31, 32, 41)	1 kit	41.67
39	105573 Quick Release Hose Cuff	1 ea.	17.27
40	107093 Impact Bumper	1 ea.	1.04
41	106619 Handle/Bezel Assembly (PF 1500XP)	1 ea.	23.15
42	105320 Fastener	1 ea.	4.97
43	107203 Cord Retention Clip	1 ea.	.83

PROFORCE 1500XP/1200XP PARTS



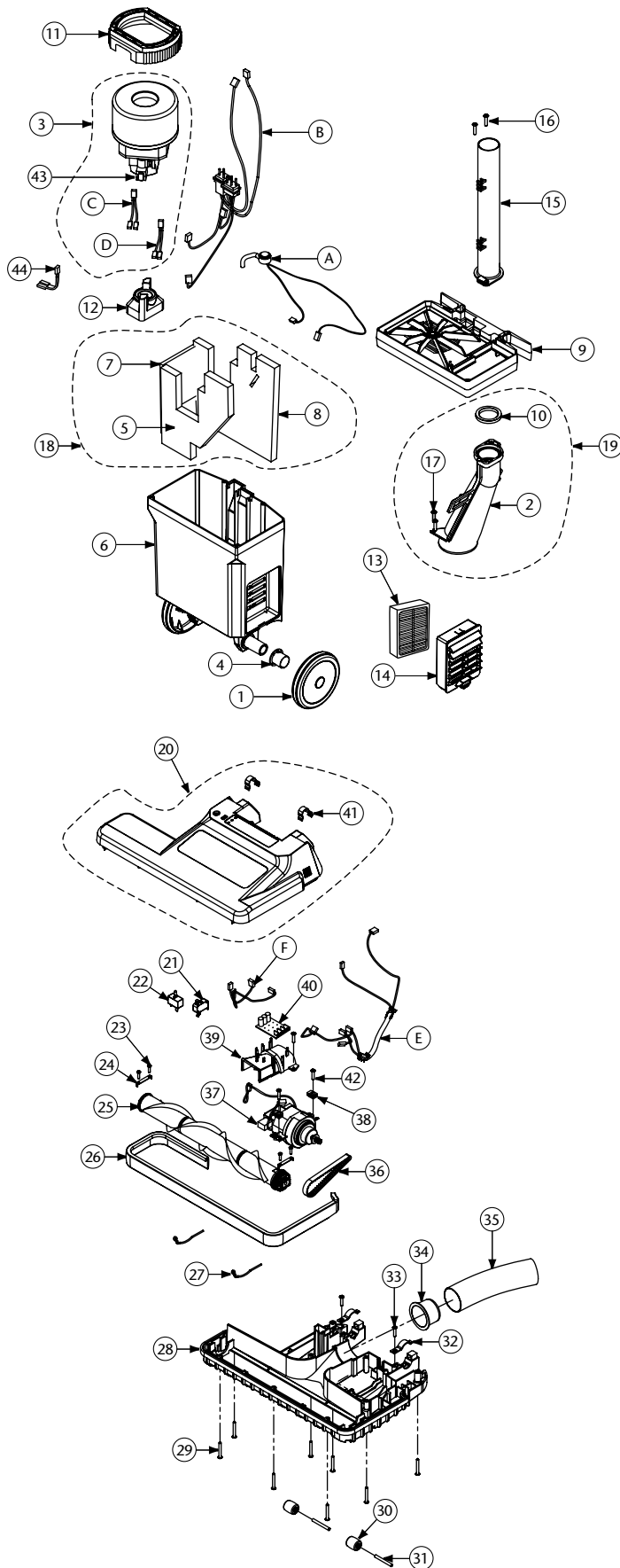
No.	Product Name	Qty	List Price
1	104267 Screw, Phillips, 4mm x 12mm F/Wand Guide	2/pk	\$ 4.25
2	104261 Guide, Wand, Upper Left	1 ea.	3.48
3	104260 Guide, Wand, Upper Right	1 ea.	3.48
4	104263 Switch, Wand Lockout	1 ea.	7.64
5	104245 Bulkhead, Dark Grey	1 ea.	15.36
6	104253 Seal, Lower Air Duct , Nitrile	1 ea.	1.28
7	104267 Screw, Phillips, 4mm x 12mm F/Lower Air Duct	2/pk	4.25
8	104250 Air Duct	1 ea.	10.83
9	104536 Motor Housing, Charcoal	1 ea.	36.17
10	104504 Bearing, Pivot	2/pk	3.48
11	104306 Wheel, Rear	2/pk	12.74
12	105136 Filter, Exhaust, HEPA Media	1 ea.	6.95
13	104246 Cover, Filter Cartridge, Charcoal	1 ea.	5.22
14	103532 Foam, Sound, Motor Housing, Front Panel	1 ea.	5.42
15	103533 Foam, Sound, Motor Housing, Left Panel	1 ea.	3.18
16	103531 Foam, Sound, Motor Housing, Rear Panel	1 ea.	7.64
17	104247 Motor Mount, Lower Nitrile	1 ea.	6.37
18	104249 Motor Mount, Upper Nitrile	1 ea.	10.83
19	104957 Motor Assembly w/Jumpers (includes: A, B)	1 kit	76.41
20	105488 Motor Housing Sound Filter (includes: #14,15,16)	1 kit	15.28
21	105490 Wand Kit (includes: #1, 2, 3, 4)	1 kit	10.19
22	105489 Air Duct Kit (includes: #6, 7, 8)	1 kit	11.47
23	104494 Power Nozzle Cover w/Detent Springs & Decal (PF 1500XP)	1 ea.	31.45
107165	Power Nozzle Cover w/Detent Springs & Decal (PF 1200XP)	1 ea.	31.45
24	104279 Switch, Safety, Power Nozzle Lockout	1 ea.	13.73
25	104212 Circuit Breaker	1 ea.	17.51
26	104496 Screw, Phillips, 2.9mm x 35mm, F/Brush Retainer	4/pk	5.30
27	104499 Retainer, Brush Roll	2/pk	2.55
28	104216 Brush Roll, Power Nozzle, 14" (PF 1500XP)	1 ea.	30.35
107163	Brush Roll, Power Nozzle, 12" (PF 1200XP)	1 ea.	30.35
29	104218 Bumper, Power Nozzle, Vinyl (PF 1500XP)	1 ea.	6.95
107166	Bumper, Power Nozzle, Vinyl (PF 1200XP)	1 ea.	6.95
30	104500 Brace, Formed Wire, F/Power Nozzle Base	2/pk	2.55
31	104221 Baseplate, Power Nozzle (PF 1500XP)	1 ea.	45.80
107167	Baseplate, Power Nozzle (PF 1200XP)	1 ea.	45.80
32	104497 Screw, Phillips, 4mm x 35mm F/Base Cover	8/pk	6.02
33	104501 Roller, Front	2/pk	4.63
34	104502 Shaft, Front Roller Axle	2/pk	2.55
35	104503 Clamp, Rear Wheel	1 set	4.45
36	104495 Screw, Phillips, 4mm x 19mm F/Powerhead	5/pk	3.48
37	104227 Sleeve, Hose, Air Duct	1 ea.	2.55
38	104230 Hose, Power Nozzle to Air Duct, Lower	1 ea.	5.88
39	104217 Belt, Drive, F/Brush Roll	1 ea.	5.79
40	104506 Motor, Power Nozzle with Crimps	1 ea.	75.34
41	104498 Grommet, Vibration, Power Nozzle Motor, Nitrile	2/pk	2.55
42	104224 Cover, Air Duct, Power Nozzle	1 ea.	4.79
43	104226 Board, Vacuum Operation Indicator	1 ea.	9.26
44	104507 Spring, Detent, Upright Lock	2/pk	3.48
45	105371 Screw, Phillips, 4.2mm x 19mm, F/Power Nozzle Motor	2/pk	2.32
46	105281 Carbon Brush Set for ProForce Motor	1 set	20.98
47	105760 Thermal Protector	1 ea.	9.37
105754	Wire Harness Kit includes:	1 set	33.00
	A. Harness, Jumper, Red		
	B. Harness, Jumper, White		
	C. Sensor, Bag Full Indicator		
	D. Harness, Main Power Supply		
	E. Harness, Wire, Power Nozzle		
	F. Harness, Power Nozzle Switch		

PROFORCE 1500 PARTS



No.	Product Name	Qty	List Price
1	104569 Cover, Bag Housing, Grey	1 ea.	\$17.37
2	104570 Plate, Bag Cover Nozzle	1 ea.	5.79
3	104571 Duct, Crossover, Bag Cover	1 ea.	8.28
4	104574 Plug, Access Port	1 ea.	3.48
5	104575 Seal, Crossover Duct/Bag Cover Nozzle Plate, Lower	1 ea.	2.32
6	104576 Seal, Crossover Duct, Inlet	1 ea.	2.32
7	104232 Latch, Release, Bag Cover	1 ea.	4.63
8	104243 Flex Plate, Bag Cover Latch	1 ea.	2.55
9	104241 Seal, Gasket, Bag Cover	1 ea.	2.55
10	104233 Spring, Release Button, F/Bag Cover Latch	2/pk	2.32
11	104242 Spring, Bag Cover Latch	1 ea.	3.48
12	104577 Screw, Phillips, 4.2mm x 9.5mm	4/pk	2.27
13	104493 Screw, Phillips, 4mm x 38mm	4/pk	4.25
14	105491 Filter Cover Kit, w/Riveted Hinge and 6 Rivets (includes: #1-13)	1 kit	40.75
15	104739 Bag Housing Assembly, Grey, w/Riveted Hinge and Decal Includes Bag Cover Nozzle Plate	1 ea.	41.67
16	104491 Rivet F/Bag Housing Assembly	6/pk	3.48
17	104284 Cord, Power Clasp, 50' Yellow (includes: #34, 41, 43)	1 ea.	36.73
18	103483 Intercept Micro Filter	10/pk	11.21
19	104281 Filter, Motor Intake	1 ea.	3.03
20	104738 Seal, Gasket, Bag Housing	1 ea.	2.55
21	104283 Switch, Filter, Lock-Out	1 ea.	10.83
22	104282 Cover, Switch, Filter Lock-out	1 ea.	2.55
23	105075 Screw, Phillips, 2.9mm x 13mm, F/Switch Cover	1 ea.	4.14
24	104509 Screw, Phillips, F/Handle Assembly 4mm x 10mm x .07 Pitch	1 ea.	2.32
25	104268 Bracket, Cord Wrap	1 ea.	4.63
26	104269 Spring, Compression, Cord Wrap Bracket	1 ea.	2.55
27	104270 Washer, Compression Spring, Cord Wrap Bracket	1 ea.	1.16
28	104271 Screw, Cord Wrap, 4mm x 35mm Phillips Round Head	1 ea.	2.32
29	106740 Handle Bezel w/Screws (new style)	1 kit	8.13
30	104741 Handle, Carry	1 ea.	5.09
31	106615 Handle, Tube Assembly Complete (includes: #17, 25, 26, 27, 28, 29, 30, 36, 38, 39)	1 kit	63.03
32	104259 Plate, Handle Nut	1 ea.	1.28
33	105091 Clasp, Strain Relief Kit w/Fastener (includes:#41)	1 ea.	6.37
34	104493 Screw, Phillips, 4.2mm x 38mm	4/pk	4.25
35	104266 Screw, Handle Assembly	1 ea.	1.42
36	105147 Switch, Rocker, On/Off	1 ea.	13.89
37	104264 Bushing, Handle Tube	1 ea.	1.28
38	106614 Handle Kit (includes: #17, 25, 26, 27, 28, 29, 30, 38)	1 kit	41.67
39	105320 Ratchet Fastener	1 ea.	4.97
40	107073 Handle Bezel Assembly	1 ea.	23.15
41	107093 Impact Bumper	1 ea.	1.04
42	107203 Cord Retention Clip	1 ea.	.83

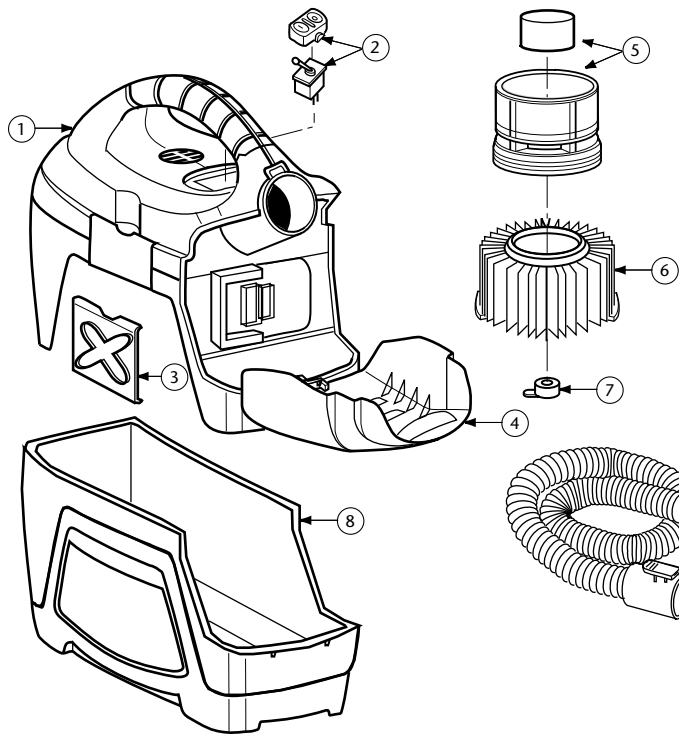
PROFORCE 1500 PARTS



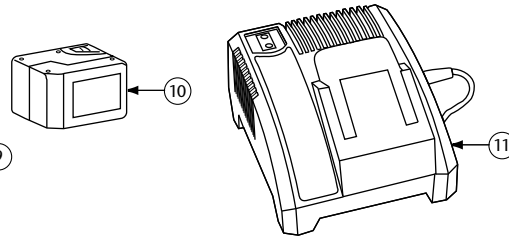
No.	Product Name	Qty	List Price
1	104306 Wheel, Rear	2/pk	\$12.74
2	104250 Air Duct	1 ea.	10.83
3	104957 Motor Assembly Kit w/Jumpers (includes: C, D)	1 ea.	76.41
4	104504 Bearing, Pivot	2/pk	3.48
5	103532 Foam, Sound, Motor Housing Front Panel	1 ea.	5.42
6	104536 Motor Housing, Charcoal	1 ea.	36.17
7	103533 Foam, Sound, Motor Housing Left Panel	1 ea.	3.18
8	103531 Foam, Sound, Motor Housing Rear Panel	1 ea.	7.64
9	104245 Bulkhead, Dark Grey	1 ea.	15.36
10	104253 Seal, Lower Air Duct, Nitrile	1 ea.	1.28
11	104249 Motor Mount, Upper Nitrile	1 ea.	10.83
12	104247 Motor Mount, Lower Nitrile	1 ea.	6.37
13	105136 Filter, Exhaust, HEPA Media	1 ea.	6.95
14	104246 Cover, Filter Cartridge, Charcoal	1 ea.	5.22
15	104578 Air Duct, Upper ProForce 1500	1 ea.	6.95
16	104209 Screw, Phillips, 4mm x 12mm, F/Upper Air Duct	2/pk	2.76
17	104267 Screw, Phillips, 4mm x 12mm, F/Lower Air Duct	2/pk	4.25
18	105488 Motor Housing Sound Filter Kit (includes: #5, 7, 8)1 kit		15.28
19	105489 Air Duct Kit (includes: #2, 10, 16)	1 kit	11.47
20	104494 Power Nozzle Cover w/Detent Springs & Decal	1 ea.	31.45
21	104279 Switch, Safety, Power Nozzle Lockout	1 ea.	13.73
22	104212 Circuit Breaker	1 ea.	17.51
23	104496 Screw, Phillips, 2.9mm x 13mm, F/Brush Retainer	4/pk	5.30
24	104499 Retainer, Brush Roll	2/pk	2.55
25	104216 Brush Roll, Power Nozzle, 14"	1 ea.	30.35
26	104218 Bumper, Power Nozzle, Vinyl	1 ea.	6.95
27	104500 Brace, Formed Wire, F/Power Nozzle Base	2/pk	2.55
28	104221 Baseplate, Power Nozzle	1 ea.	45.80
29	104497 Screw, Phillips, 4mm x 35mm F/Base Cover	8/pk	6.02
30	104501 Roller, Front	2/pk	4.63
31	104502 Shaft, Front Roller Axle	2/pk	2.55
32	104503 Clamp, Rear Wheel	1 set	4.45
33	104495 Screw, Phillips, 4mm x 19mm, F/Powerhead	5/pk	3.48
34	104227 Sleeve, Hose, Air Duct	1 ea.	2.55
35	104230 Hose, Power Nozzle to Air Duct, Lower	1 ea.	5.88
36	104217 Belt, Drive, F/Brush Roll	1 ea.	5.79
37	104506 Motor, Power Nozzle with Crimps	1 ea.	75.34
38	104498 Grommet, Vibration, Power Nozzle Motor, Nitrile	2/pk	2.55
39	104224 Cover, Air Duct, Power Nozzle	1 ea.	4.79
40	104226 Board, Vacuum Operation Indicator	1 ea.	9.26
41	104507 Spring, Detent, Upright Lock	2/pk	3.48
42	105371 Screw, Phillips, 4.2mm x 19mm, F/Power Nozzle Motor	2/pk	2.32
43	105281 Carbon Brush Set for ProForce Motor	1 set	20.98
44	105760 Thermal Protector	1 ea.	9.37
105755	Wire Harness Kit includes:	1 set	33.00

- A. Sensor, Bag, Full Indicator
- B. Harness, Wire, Main Power Supply
- C. Harness, Jumper, White
- D. Harness, Jumper, Red
- E. Harness, Wire, Power Nozzle
- F. Harness, Power Nozzle Switch

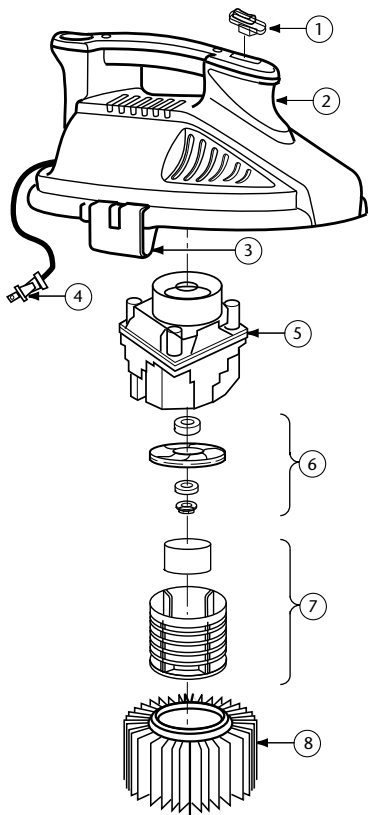
PROGUARD LI 3 CORDLESS PARTS



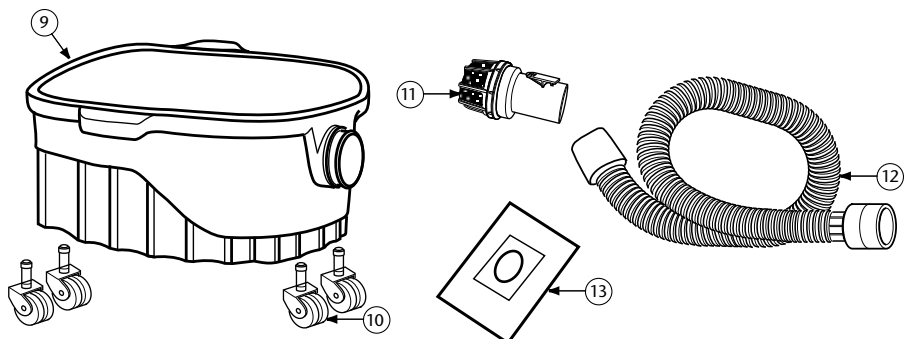
No.	Product Name	Qty	List Price
1	510121 Power Head	1 ea.	\$100.07
2	510127 Switch/Cover	1 ea.	1.84
3	833367 Drum Latches	2/pk	.84
4	510122 Battery Cover/Hinge	1 ea.	12.44
5	832048 Filter Cage/Float	1 ea.	1.84
6	107178 Qwik Lock Fine Dust Cartridge Filter	1 ea.	18.85
7	73316 Filter Nut	1 ea.	.16
8	833371 Drum with Labels	1 ea.	35.65
9	107197 Hose Assembly	1 ea.	28.51
10	107200 Battery	1 ea.	104.95
11	107201 Battery Charger	1 ea.	52.45



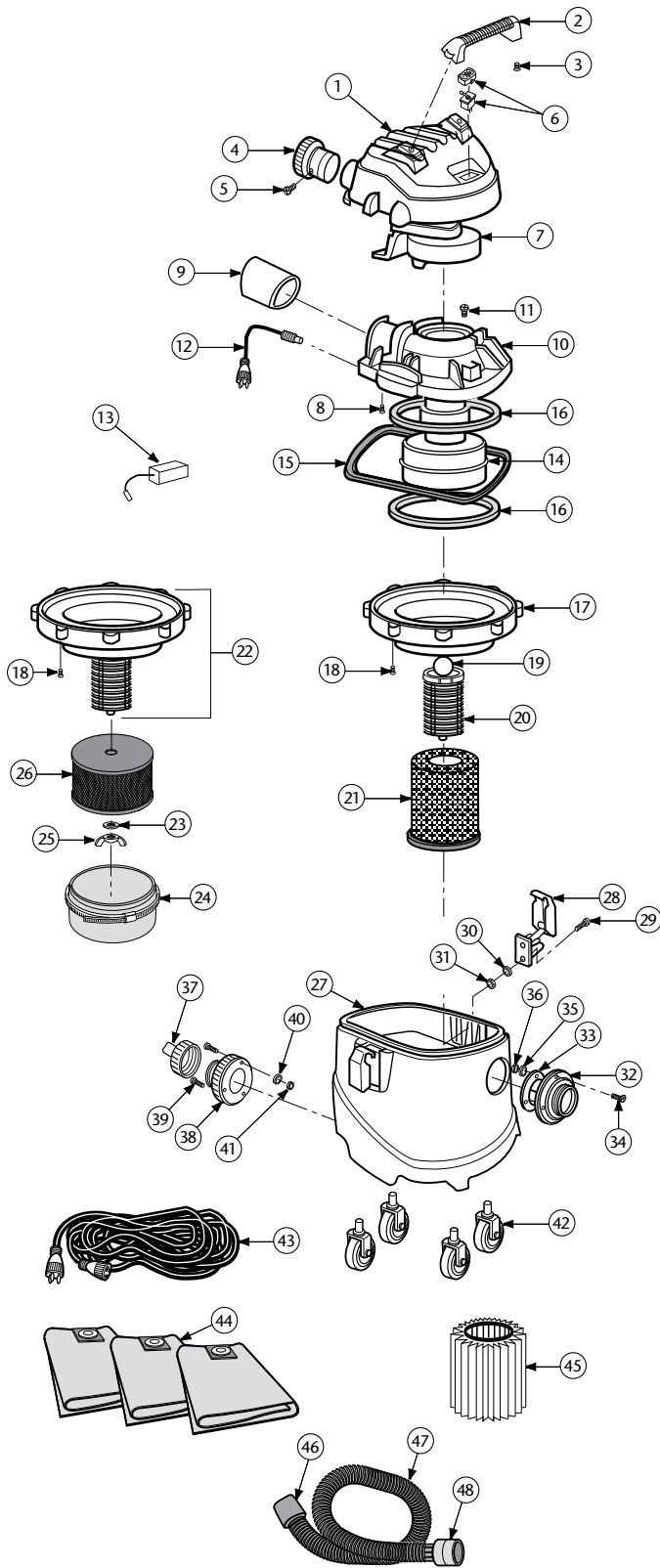
PROGUARD 4 PORTABLE PARTS



No.	Product Name	Qty	List Price
1	510123 Switch and Switch Cover	1 ea.	\$ 1.79
2	510107 Motor Cover and Top Handle	1 ea.	30.08
3	826387 Drum Latch	1 ea.	.63
4	829719-4 Cord Assembly	1 ea.	10.34
5	509776-19 Motor Assembly	1 ea.	54.65
6	510124 Blower Wheel, Washer, Spacer, Nut	1 ea.	2.05
7	510108 Cage and Float Assembly	1 ea.	4.52
8	107178 Qwik Lock Fine Dust Cartridge Filter	1 ea.	18.85
9	510106 Drum (with Inlet)	1 ea.	10.45
10	510109 Casters	4/pk	5.78
11	830098 Diffuser	1 ea.	4.99
12	831337-6 Premium Hose Assembly	1 ea.	40.79
13	107182 Intercept Micro Filter Bag (optional)	3/pk	18.00

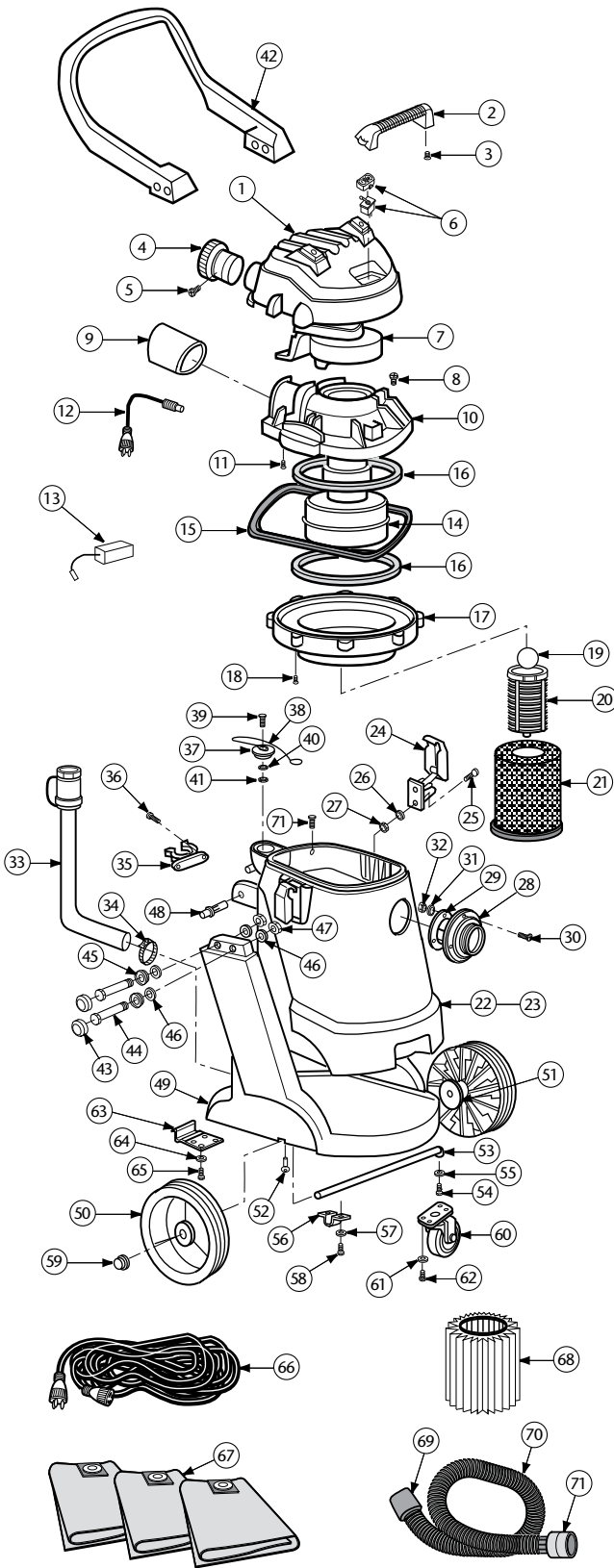


PROGUARD 10/PROGUARD 10 HEPA PARTS



No.	Product Name	Qty	List Price
1	510094 Motor Cover Assembly (ProGuard 10 only)	1 ea.	\$ 11.66
	510126 Motor Cover Assembly (ProGuard 10 HEPA only)	1 ea.	42.63
2	830565-2 Handle Motor Cover	1 ea.	2.31
3	820563-4 Screw Type AB #10 x 3/4"	1 ea.	.05
4	833600 Diffuser Assembly	1 ea.	3.83
5	820563-4 Screw Type AB #10 x 3/4"	1 ea.	.05
6	510127 Switch Assembly	1 ea.	1.84
7	831651 Duct Motor Exhaust/Cooling Fan	1 ea.	6.04
8	820563-4 Screw Type AB #10 x 3/4"	1 ea.	.05
9	830609 Exhaust Foam Pad	1 ea.	1.47
10	831653-3 Lid	1 ea.	11.13
11	826453-2 Screw 10-32 x 3/4"	1 ea.	.16
12	833417 Power Cord Assembly	1 ea.	21.74
13	822374-8 Carbon Brush Set	1 set	4.88
14	831567 Motor Assembly Complete	1 ea.	83.21
15	833518 Gasket Lid	1 ea.	8.93
16	827415 Gasket Motor	1 ea.	4.36
17	831659 Collector Assembly (ProGuard 10 only)	1 ea.	9.19
18	820563-4 Screw Type AB #10 x 3/4"	1 ea.	.05
19	833778 Ball Float (ProGuard 10 only)	1 ea.	1.21
20	830101-1 Filter Cage (ProGuard 10 only)	1 ea.	2.73
21	107177 Wet Filter (ProGuard 10 only)	1 ea.	25.15
22	833576 Collector Assembly (ProGuard 10 HEPA only)	1 ea.	16.75
23	833509 Filter Rubberized Washer (ProGuard 10 HEPA only)	1 ea.	.16
24	833573 Pre-Filter (ProGuard 10 HEPA only)	1 ea.	34.07
25	833511 Filter Wing Nut (ProGuard 10 HEPA only)	1 ea.	1.10
26	107179 HEPA Filter (ProGuard 10 HEPA only)	1 ea.	366.45
27	833601 Tank, 10 Gallon	1 ea.	89.83
28	833424-1 Drum Latch	1 ea.	4.94
29	833492-1 Screw 10-32 x 3/4"	1 ea.	1.00
30	833493 Washer (13/64 ID) #10	1 ea.	.05
31	161255-8 Nut Lock #10	1 ea.	.32
32	833425 Tank Inlet Adapter	1 ea.	2.21
33	833426 Gasket Inlet Adapter	1 ea.	.89
34	833492 Screw 1-32 x 1 1/4"	1 ea.	.37
35	833493 Washer (13/64 ID) #10	1 ea.	.05
36	161255-8 Nut Lock #10	1 ea.	.32
37	73185 Drain Cap	1 ea.	3.68
38	833429 Drain Adapter with Gasket	1 ea.	2.84
39	833492-2 Screw 1-32 x 1 3/8"	1 ea.	.84
40	833493 Washer (13/64 ID) #10	1 ea.	.05
41	161255-8 Nut Lock #10	1 ea.	.32
42	833431 Caster 3"	1 ea.	9.08
43	833432 50' Extension Cord	1 ea.	60.64
44	107181 Intercept Micro Filter	3/pk	24.33
45	107175 Qwik Lock Fine Dust Filter (ProGuard 10 only)	1 ea.	25.15
46	831577 Swivel Hose Cuff	1 ea.	2.42
47	107198 Hose Assembly	1 ea.	41.84
48	833587 Locking Ring Cuff	1 ea.	8.03

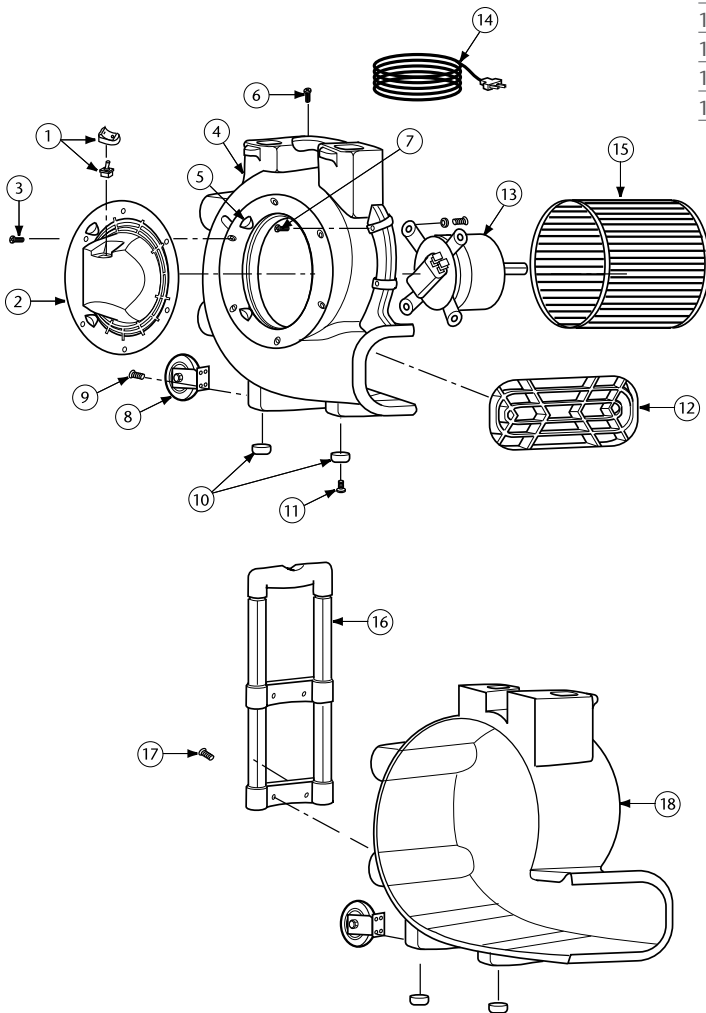
PROGUARD 15/20 PARTS



No.	Product Name	Qty	List Price
1	510097 Motor Cover Assembly (ProGuard 15 only)	1 ea.	\$ 11.66
	510104 Motor Cover Assembly (ProGuard 20 only)	1 ea.	18.95
2	830565-2 Handle Motor Cover	1 ea.	2.31
3	820563-4 Screw Type AB #10 x 3/4"	1 ea.	.05
4	833600 Diffuser Assembly	1 ea.	3.83
5	820563-4 Screw Type AB #10 x 3/4"	1 ea.	.05
6	510127 Switch Assembly	1 ea.	1.84
7	831651 Motor Exhaust Duct	1 ea.	6.04
8	826453-2 Screw 10-32 X 3/4"	1 ea.	.16
9	830609 Exhaust Foam Pad	1 ea.	1.47
10	831653-3 Lid	1 ea.	11.13
11	820563-4 Screw Type AB #10 x 3/4"	1 ea.	.05
12	833417 Power Cord Assembly	1 ea.	21.74
13	822374-8 Carbon Brush Set	1 set	4.88
14	831567 Motor Assembly Complete	1 ea.	83.21
15	833518 Gasket Lid	1 ea.	8.93
16	827415 Gasket Motor	1 ea.	4.36
17	831659 Collector Assembly	1 ea.	9.19
18	820563-4 Screw Type AB #10 x 3/4"	1 ea.	.05
19	833778 Ball Float	1 ea.	1.21
20	830101-1 Filter Cage	1 ea.	2.73
21	107177 Wet Filter	1 ea.	25.15
22	833603 Tank, 20 Gallon (ProGuard 20 only)	1 ea.	183.23
23	833602 Tank, 15 Gallon (ProGuard 15 only)	1 ea.	166.43
24	833424-1 Drum Latch	1 ea.	4.94
25	833492-1 Screw 10-32 X 3/4"	1 ea.	1.00
26	833493 Washer (13/64 ID) #10	1 ea.	.05
27	161255-8 Nut Lock #10	1 ea.	.32
28	833425 Tank Inlet Adapter	1 ea.	2.21
29	833426 Gasket Inlet Adapter	1 ea.	.89
30	833492 Screw 10-32 X 1 1/4"	1 ea.	.37
31	833493 Washer (13/64 ID) #10	1 ea.	.05
32	161255-8 Nut Lock #10	1 ea.	.32
33	833451 Hose Drain Assembly 30" (includes #49)	1 ea.	22.00
34	833452 Hose Clamp	1 ea.	3.41
35	826881 Hose Clip	1 ea.	1.10
36	808872-2 Screw 10-32 X 1 1/4"	1 ea.	.07
37	833449 Cap Rubber Drum Pour Spout	1 ea.	4.36
38	833450 Pour Spout Cable Lanyard	1 ea.	3.89
39	833492 Screw 10-32 X 1 1/4"	1 ea.	.37
39	833493 Washer (13/64 ID) #10	1 ea.	.05
40	833492-1 Screw 10-32 x 3/4"	1 ea.	1.00
41	161255-8 Nut Lock #10	1 ea.	.32
42	833465 Handle, Cart Base	1 ea.	60.85
43	100371 Cap	1 ea.	.68
44	832397-1 Screw Hex 3/8-16 X 3 3/4"	1 ea.	4.41
45	833779 Cap Retainer	1 ea.	.47
46	805557-1 Washer 13/32 ID	1 ea.	.05
47	161255-2 Nut Lock 3/8-16	1 ea.	.16
48	833454 Bushing, Drum Hinge	1 ea.	1.26
49	833456 Base, Cart	1 ea.	179.03
50	833459 Wheel 10"	1 ea.	13.60
51	833460 Wheel Spacer	1 ea.	.58
52	833662 Thumb Screw	1 ea.	.79
53	831024-3 Axle	1 ea.	4.52
54	805466-3 Screw Hex HD 5/16-18 X 5/8"	1 ea.	.26
55	140755-12 Lock Washer Ext 5/16"	1 ea.	.05
56	833461 Axle Bracket	1 ea.	1.63
57	140755-12 Lock Washer Ext 5/16"	1 ea.	.05
58	805466-3 Screw Hex HD 5/16-18 X 5/8"	1 ea.	.26
59	813836-1 Nut Washer Cap	1 ea.	.53
60	833462 Caster 4" w/Bearings	1 ea.	16.85
61	140755-12 Lock Washer Ext 5/16"	1 ea.	.05
62	805466-3 Screw Hex HD 5/16-18 X 5/8"	1 ea.	.26
63	833463 Plate Pedal Lock	1 ea.	6.67
64	140755-12 Lock Washer Ext 5/16"	1 ea.	.05
65	805466-3 Screw Hex HD 5/16-18 X 5/8"	1 ea.	.26
66	833432 50' Extension Cord	1 ea.	60.64
67	107180 Intercept Micro Filter	3/pk	35.34
68	107175 Qwik Lock Fine Dust Filter	1 ea.	25.15
69	831577 Swivel Hose Cuff 1 1/2"	1 ea.	2.42
70	107198 Hose Assembly	1 ea.	41.84
71	833587 Locking Ring Cuff	1 ea.	8.03

PROBLITZ AIR MOVER PARTS

No.	Product Name	Qty	List Price
1	510141 Switch & Knob Assembly	1 ea.	\$ 5.00
2	833658 Inlet Grill	1 ea.	5.45
3	820563-7 Screw, Type AB #10 x 3/4"	1 ea.	.05
4	833657-1 Motor Housing	1 ea.	25.20
5	833673 Threaded Inserts - Housing	1 ea.	5.60
6	820563-7 Screw, Type AB #10 x 3/4"	1 ea.	.05
7	820563-13 Screw, Type AB #10 x 1"	1 ea.	.05
8	510040 Wheel Assembly (ProBlitz XP only)	1 ea.	5.00
9	820563-7 Screw, Type AB #10 x 3/4" (ProBlitz XP only)	1 ea.	.05
10	833690 Foot Bumper	1 ea.	1.50
(Only four (4) required for ProBlitz XP)			
11	820563-7 Screw, Type AB #10 x 3/4"	1 ea.	.05
(Only four (4) required for ProBlitz XP)			
12	833659 Exhaust Grill	1 ea.	5.04
13	833674 Motor	1 ea.	137.95
14	833675 Cord w/Plug	1 ea.	25.85
15	833660 833660 Blower Wheel	1 ea.	29.90
16	833691 Retractable Handle (ProBlitz XP only)	1 ea.	28.75
17	820563-7 Screw, Type AB #10 x 3/4" (ProBlitz XP only)	1 ea.	.05
18	833656-1 Right Housing	1 ea.	41.50



INDEX

Part No.	Product Name	Page No(s).	Part No.	Product Name	Page No(s).
73185	Drain Cap	46	100628	How to Be a Vacuum Specialist™	23
73316	Filter Nut	44	100629	How to Be a Restroom Specialist™	23
100014	TetraSeal	27, 28, 29, 30, 33, 34, 37, 38, 39	100630	How to Coach a Successful Team	23
100030	Dome Filter w/Foam Media	27, 28, 29, 30, 33, 37, 38, 39	100641	Power Cord (18" 14/3) Assembly	27, 28, 29, 30, 33, 34, 37
100078	14" Floor Tool w/Scallops (100147)	2, 4, 6, 7, 10, 14	100643	CoachVac w/Attachment Kit B (101336)	3
100083	11" Floor Tool w/Adjustable Nylon Brush 1½"	14, 20, 24	100653	Super CoachVac w/Attachment Kit B (101336)	2
100084	Replacement Brush – 11" Floor Tool (100083)	24	100657	MegaVac w/Blower Kit B (106989)	3
100092	16" Floor Tool w/Adjustable Nylon Brush 1½"	14, 20, 24	100694	Replacement Swivel Cuff	27, 28, 29, 30, 33, 34, 35, 36, 37
100093	Replacement Brush – 16" Floor Tool (100092)	24	100698	Sound Muffler	22, 30
100099	Replacement Nut – Aluminum Wands	24	100713	Replacement Nylon Brush – 14" Floor Tool (100623)	24
100100	Replacement Ring – Aluminum Wands	24	100714	Replacement Horse Hair Brush – 14" Floor Tool (100614)	24
100101	Replacement Sleeve – Aluminum Wands	24	100716	Backplate (Black) Connection Set	27, 29, 30, 34, 37
100102	56" One-Piece 1½" Two-Bend Aluminum Wand	19, 24	100719	Logo Banner	23
100104	60" Straight Extension 1½" Aluminum Wand	19, 24	100727	Restaurant 1½" Attachment Kit	8, 15
100107	Crevice Tool 11"	15, 17, 18	100729	ProVac BP w/Restaurant Kit (100727)	8, 15
100108	Crevice Tool – 17"	14, 15, 16, 17, 18	100730	12" Paddle Tool 1½"	20
100109	Crevice Tool – 28"	15, 18	100743	Double Pole On/Off Switch	31
100110	Dust Brush – 3"	14, 15, 16, 17, 18	100829	ProVac BP w/ Attachment Kit A (100078)	8
100112	Reducer Cuff 1¼" to 1½"	24	100950	Director Plate	31
100113	1" to 4" Overhead Pipe 1½" Cleaner	18	101092	Reducer Cuff	24
100114	4" to 8" Overhead Pipe 1½" Cleaner	18	101122	How to Be a Light-Duty Specialist™	23
100115	Upholstery Tool – 5"	14, 15, 16, 17, 18, 24	101155	Replacement Nylon Brush – E-Z Glide 14" Floor Tool (101446)	24
100116	Replacement Nylon Brush – 5" Upholstery Tool (100115)	24	101184	Stretch Hose w/Cuffs 1¼" (Black)	31, 32
100117	11" Turbo Brush Tool – 1¼"	15, 19, 20	101189	Motor/Fan (120 V) w/Crimps (Ametek)	31
100135	Turbo Brush with Wand	15	101220	High Filtration Disk (optional)	22, 27, 28, 29, 30, 37, 39
100136	54" One-Bend Chrome Tapered Wand – 1½" to 1¼"	15, 19, 20, 21	101228	Front Sound Foam Baffle	31
100137	Replacement Nut – Aluminum Wand (106293)	24	101229	Rear Sound Foam Baffle	31
100141	Replacement Bumper – 14" Floor Tool (100147)	24	101245	QuarterVac w/Attachment Kit B (101336)	6
100144	14" Hard Floor Tool w/Scalloped Felt Brush 1½"	15, 16, 21, 24	101271	Motor Mount Screw Kit	31
100145	Replacement Felt – 14" Floor Tool (100143)	24	101272	Step Cap Screw Kit	31
100146	Replacement Felt, Scalloped – 14" Floor Tool	24	101274	Waist Belt Connection Set	31
100147	Carpet Tool w/Scallops 14"	14, 15, 17, 20, 24	101288	Blind Twist Cap Assembly (Grey)	31
100150	One-Bend Bulk Pick-Up Tool – 36"	17, 18	101293	TailVac w/Standard 1¼" Kit (101324)	5
100155	Aluminum Gulper Floor Tool – 12"	15, 20	101324	TailVac Standard 1¼" Kit	5, 15
100163	High Filtration 1½" Attachment Kit	9, 17	101336	14" E-Z Glide Floor Tool w/Brush (101446) (Kit 1)	2, 3, 4, 5, 6, 7, 10, 14
100167	Curved Chrome Wand – 13"	19	101338	Two-Piece, Two-Bend Aluminum Wand – 56"	14, 15, 17, 19, 24
100171	Motor/Fan w/Rectifier and Crimps (400Hz)	37	101394	Ergonomic Wand Handles, Set	25
100173	Carbon Brush Set for 400 Hz Motor	37	101436	Replacement Swivel Cuff (Black) 1¼"	31, 32
100174	Motor Rectifier	37	101437	Replacement Fixed Hose Cuff (Black) 1½"-1¼"	31, 32
100180	Demo Duffle Bag	23	101445	Retro Kit – 14" E-Z Glide Floor Tool	24
100197	Twist Cap (Purple)	27	101446	14" EZ Glide Floor Tool w/Brush	14, 16, 20, 24
100277	LineVacER HEPA w/High Filtration Vac Kit 1½" (100163)	9	101453	SuperCoach w/100078 Floor Tool Kit	2
100280	LineVacER ULPA w/High Filtration Vac Kit (100163)	9	101472	Switch Box w/Velcro and New Lamb Switch	27, 28, 29, 30, 33, 37, 38
100286	Top or Bottom Cap Latch Set	33	101473	Repair Clip w/Screws –14" Hard Floor Tool	24
100291	Intercept Micro Filters 698 sq. in. / 10 qt.	22, 33	101475	Repair Kit – Felt Floor Tools: Support Bars and Screws	24
100320	Twist Cap (Black)	27, 28	101531	Carbon Brush Set (Ametek Motor) (116309-00)	30
100331	Intercept Micro Filters 698 sq. in. / 10 qt.	22, 27, 28	101532	ProDuster 50 sleeves	25
100335	Motor Compression Ring w/Screws	27, 28, 29, 30, 33, 37, 38, 39	101533	ProDuster 500 sleeves	25
100343	Foam Filter Media for Dome Filter	22, 27, 28, 29, 30, 33, 37, 38, 39	101543	Filter Guard (Optional)	27, 28
100354	Strap Assembly Complete	27, 28, 29, 30, 33, 34, 37	101548	QuarterVac w/Attachment Kit A (100078)	6
100356	Shoulder Strap Assembly	27, 28, 29, 30, 32, 33, 34, 37	101550	TailVac w/Attachment Kit B, 1½" hose (101336)	5
100357	Shoulder Strap Adjustment Buckle (Bottom)	27, 28, 29, 30, 32, 33, 34, 36	101610	Switch Cord Assembly	27, 28, 29, 30, 33, 37
100358	Shoulder Strap Adjustment Buckle (Top)	27, 28, 29, 30, 32, 33, 34, 37	101613	20" JetSweep 20 Hard Floor Tool w/Nylon Brush 1½"	15, 16, 21, 24
100359	Waist Belt	27, 28, 29, 30, 33, 34, 37	101615	Replacement Blue Bumper for Jet Sweep 20 (101613)	24
100360	Waist Belt Extension (10")	25	101678	50' Extension Cord	25, 27, 28, 29, 30, 31, 32, 33, 34, 35, 36, 37, 39
100361	Waist Belt Extension (18")	25	101705	Stretch Hose w/Cuffs 1½" (Black)	31, 32
100368	Motor Mounting System Set	27, 28, 29, 30, 33, 34, 37, 38, 39	101711	Shroud Retro Kit (Grey) w/2 Screws	31
100371	Cap	46	101713	Power Cord (18" 14/3) Assembly Complete	31
100374	Backplate Connection Set	28, 33	101714	Switch Cord w/Crimps	27, 28, 29, 30, 33, 37
100375	Barrel Nut Connection Set	27, 28, 29, 30, 33, 34, 37	101715	Switch Cord w/Crimps	37
100378	Compression Ring Screw Set	27, 28, 29, 30, 33, 37	101716	18" Switch Cord Assembly Complete 120V	33
100379	Motor Ground and Wire Clamp Set w/Screws	27, 28, 29, 30, 33, 37	101717	Switch Cord Assembly Complete w/Switch and Box	37
100380	Motor Crimp Set	27, 28, 29, 30, 33, 37	101720	Carbon Brush Set (Ametek)	27, 28, 29, 36
100422	Motor/Fan (120 V) w/Crimps	27, 30, 33, 37	101737	Carry Handle w/Rivet and Washer Set	27, 28, 29, 30, 33, 34, 37, 38
100424	Carbon Brush Set (Ametek) (116311-00)	27, 33, 34, 37	101829	Hard Surface Flooring 1½" Attachment Kit	15
100431	Intercept Micro Filters 496 sq. in. / 6 qt.	22, 29, 30, 31, 34, 37, 38, 39	101830	Super CoachVac w/ Hard Surface Flooring Kit (101829)	2
100505	Static-Dissipating Hose (Black) w/Cuffs 1½"	37	101880	Replacement Nylon Brush – JetSweep 20, 20" Hard Floor Tool	24
100564	Micro Cloth Filter	22, 29, 30, 31, 34, 37, 38, 39	101928	Replacement Double Swivel Elbow Cuff (Black)	27, 28, 29, 30, 33, 34
100565	Micro Cloth Filter	22, 27, 28, 33	101934	Twist Cap for Hose Cuff (Grey)	31
100586	Bottom Bumper	27, 29, 30, 34, 37, 38	101949	Foam Filter Media for Dome Filter	22, 31, 35, 36
100597	Sound Muffler	22, 27, 28	102127	Small Strain Relief	35
100598	Squeegee Blades	24	102266	54" Two-Piece One-Bend Aluminum Wand w/Button Lock	16, 19, 20
100614	14" Hard Floor Tool w/Horse Hair Brush 1½"	15, 16, 21, 24	102604	Schulte Cord Holder	25, 27, 28, 29, 30, 31, 32, 33, 34, 37
100623	Hard Floor Tool w/Nylon Brush – 14"	14, 15, 17, 21, 24	102659	5" Long Dust Brush 1¼"	18

Part No.	Product Name	Page No(s).	Part No.	Product Name	Page No(s).
102715	Replacement Swivel Elbow Cuff, Black	31, 37, 38, 39	104018	Front Axle	24
102715	Swivel Elbow (TailVac)	31	104019	Front Wheel	24
102761	High Filtration Disc (optional)	22, 31, 35, 36	104020	Belt	24
102784	Dome Filter w/Foam Media	31, 35, 36	104021	Bottom Cover	24
102844	Gasket for Blind Twist Cap (TailVac)	31	104022	Squeegee	24
102878	Waist Belt w/Velcro®	31	104023	Belt Guard	24
102879	Monostrap Assembly	31	104024	Brush Roller Assembly	24
102947	Vac Station	25	104029	Vac Display Mannequin	23
102988	Carbon Brush Set for Motor (Ametek)	31	104152	How to Be a Utility Specialist™ in Carpet Care	23
103024	AviationVac w/Aviation 1¼" Kit #2 (103222)	6	104158	12" Display Pedestal	23
103025	Retrofit set: Waist Belt and Monostrap	31	104159	18" Display Pedestal	23
103032	15" JetSweep 15 Carpet Tool 1½"	20	104160	Floor Mat	23
103043	Fan and Brush Cover Kit	31	104209	Screw, Phillips, 4mm x 12mm F/Wand Guide	41, 43
103048	Static-Dissipating Hose w/Cuffs (Black)	27, 28, 29, 30, 33, 34, 37	104212	Circuit Breaker	41, 43
103071	Vac Station Mounting Hardware Complete	25	104216	Brush Roll, Power Nozzle, 14"	41, 43
103084	Natural Fiber Hard Floor Tool – 12"	15, 21, 24	104217	Belt, Drive, F/Brush Roll	41, 43
103085	Carpet Tool w/Scallops 12"	16, 20	104218	Bumper, Power Nozzle, Vinyl	41, 43
103086	Crevice Tool – 13"	15, 16, 18	104221	Baseplate, Power Nozzle	41, 43
103087	Upholstery Tool – 5½" w/Removable Brush (103088)	15, 16, 18, 24	104224	Cover, Air Duct, Power Nozzle	41, 43
103088	Removable Brush – 5½" Upholstery Tool (103087)	15, 16, 18, 24	104226	Board, Vacuum Operation Indicator	41, 43
103089	Dust Brush, Rectangular 90/180° Swivel – 2½"	15, 16, 18	104227	Sleeve, Hose, Air Duct	41, 43
103090	TailVac Deluxe 1¼" Attachment Kit	5, 15	104230	Hose, Power Nozzle to Air Duct, Lower	41, 43
103099	Cuff Adapter – 1¼" x 1¼"	15, 16, 24	104232	Latch, Release, Bag Cover	40, 42
103114	Swivel Caster (Front Wheel)	35, 36	104233	Spring, Release Button, F/Bag Cover Latch	40, 42
103115	Micro Cloth Filter	22, 35, 36	104234	Cover, Bag Housing, Grey F/XP	40
103117	Tool Dock	35, 36	104235	Seal, Transition Duct/Bag Cover, Upper	40
103121	Motor Mount	35, 36	104236	Duct, Transition, Bag Cover, F/XP	40
103123	Exhaust/Sound Filter	22, 36	104238	Seal, Transition Duct/Bag Cover Nozzle Plate, Lower	40
103124	Foam Inlet Damper A	35, 36	104239	Plate, Bag Cover Nozzle, F/XP	40
103125	Foam Inlet Damper B	35, 36	104241	Gasket, Bag Cover	40, 42
103150	Replacement Long Swivel Cuff (Black) 1½"	35, 36	104242	Spring, Bag Cover Latch	40, 42
103166	Backplate System Complete	27, 28, 29, 30, 33, 34, 37	104243	Plate, Bag Cover Latch	40, 42
103172	78" Static Dissipating Hose w/Cuffs (Black) 1½"	35, 36	104245	Bulkhead, Dark Grey	41, 43
103212	Wire Harness Assembly	36	104246	Replacement Exhaust Filter Cover	23, 41, 43
103215	Power Cord (18" 14/3) Assembly	35, 36	104247	Motor Mount, Lower Nitrile	41, 43
103220	ProVac CN w/Restaurant Kit (100727)	8, 15	104249	Motor Mount, Upper Nitrile	41, 43
103222	Aviation 1¼" Attachment Kit	6, 16	104250	Air Duct	41, 43
103236	Motor Seal	31, 35, 36	104253	Seal, Lower Air Duct, Nitrile	41, 43
103237	Static-Dissipating Hose 1¼" (Black)	37, 38	104259	Plate, Handle Nut	40, 42
103246	ProVac BP w/ Attachment Kit B (101336)	8	104260	Guide, Wand, Upper Right	41
103256	Rear Foam Diffuser	35, 36	104261	Guide, Wand, Upper Left	41
103257	Backplate Replacement	27	104263	Switch, Wand Lockout	41
103258	ProVac CN w/ Attachment Kit B (101336)	8	104264	Bushing, Handle Tube	40, 42
103262	Step Cap (Grey) w/Attached Front Sound Foam	31	104265	Handle, Carry w/Tool Caddy, F/XP	40
103266	Motor Mount and Vented Exhaust Cover Screw Kit	35, 36	104266	Screw, Handle Assembly	40, 42
103267	Rear Wheel Assembly Kit	35, 36	104267	Screw, Phillips, 4mm x 12mm, F/Lower Air Duct	41, 43
103268	Rear Wheel Mounting Screw Kit	35, 36	104268	Bracket, Cord Wrap	40, 42
103279	Replacement Swivel Cuff (Black) 1¼"	37, 38	104269	Spring, Compression, Cord Wrap Bracket	40, 42
103318	Top Cap, Black	35, 36	104270	Washer, Compression Spring, Cord Wrap Bracket	40, 42
103327	On/Off Switch	36	104271	Screw, Cord Wrap, 4mm x 35mm Phillips Round Head	40, 42
103360	Cover Assembly, Vented Exhaust	36	104272	Receptacle Screw Set	39
103441	Cord Lock	25, 35, 36	104273	Twist Cap (Black)	30, 34, 37, 38, 39
103476	Thermal Protector	27, 28, 29, 30, 33, 36, 37, 38, 39	104274	True HEPA Filter Assembly Complete w/Bottom Cap	22, 33
103483	Intercept Micro Filters 248 sq. in. / 3.25 qt.	22, 40, 42	104275	True ULPA Filter Assembly Complete w/Bottom Cap	22, 33
103505	Curved Chrome Wand – 1¼" x 13" w/Button Lock	15, 16, 19	104276	Latch Cap w/Cuff (Black)	33
103531	Foam, Sound, Motor Housing Rear Panel	41, 43	104279	Switch, Safety, Power Nozzle Lockout	41, 43
103532	Foam, Sound, Motor Housing, Front Panel	41, 43	104281	Replacement Motor Intake Filter	23, 40, 42
103533	Foam, Sound, Motor Housing Left Panel	41, 43	104282	Cover, Switch, Filter Lock-Out	40, 42
103545	Conical Washer for Swivel Caster	35, 36	104283	Switch, Filter, Lock-Out	40, 42
103608	11" Turbo Brush 1½"	16, 20	104284	Cord, Power, w/Strain Relief, 50' Yellow	40, 42
103617	Complete 36V Motor Assembly	39	104294	Wand, F/XP	40
103623	Electrified Hose, 1¼" x 20' Long, 2-Wire	39	104300	ProForce 1500	7
103627	Sternum Strap Buckles (Latch & Keeper)	27, 28, 29, 30, 32, 33, 34, 37, 38	104301	ProForce 1500XP	7
103638	True HEPA Filter Assembly w/Electrical Connector	22, 35	104306	Wheel, Rear	41, 43
103718	Hose Wrap, Blk	39	104490	Bag Housing Assembly	40
103731	Carbon Brush Set for 36V motor	38, 39	104491	Rivet F/Bag Housing Assembly	40, 42
103732	36V Motor w/Crimps, Replacement	39	104493	Screw, Phillips, 4.2mm x 38mm	40, 42
103916	Receptacle, 2-Wire w/Crimps	39	104494	Power Nozzle Cover w/Detent Springs & Decal	41, 43
103974	Bushing w/Holder	24	104495	Screw, Phillips, 4mm x 19mm F/Powerhead	41, 43
103975	Brush Arm	24	104496	Screw, Phillips, 2.9mm x 13mm, F/Brush Retainer	41, 43
104011	1¼" Neck Assembly Complete	24	104497	Screw, Phillips, 4mm x 35mm F/Base Cover	41, 43
104012	1½" Neck Assembly Complete	24	104498	Grommet, Vibration, Power Nozzle Motor, Nitrile	41, 43
104016	Rear Axle	24	104499	Retainer, Brush Roll	41, 43
104017	Back Wheel	24	104500	Brace, Formed Wire, F/Power Nozzle Base	41, 43

INDEX

Part No.	Product Name	Page No(s).	Part No.	Product Name	Page No(s).
104501	Roller, Front	41, 43	105697	Carbon Brush Set (Dome)	27, 30, 33, 34, 35, 37
104502	Shaft, Front Roller Axle	41, 43	105722	Motor, (120V), 2 Stage	34
104503	Clamp, Rear Wheel	41, 43	105732	QuietPro BP HEPA w/Attachment Kit B (101336)	10
104504	Bearing, Pivot	41, 43	105733	QuietPro BP HEPA w/Attachment Kit A (100078)	10
104505	Screw, Phillips, 4mm x 9.5mm	40	105748	Switch Cord Assembly Complete F/QuietPro	34
104506	Motor, Power Nozzle with Crimps	41, 43	105754	Wire Harness Kit	41
104507	Spring, Detent, Upright Lock	41, 43	105755	Wire Harness Kit	43
104509	Screw, Phillips, F/Handle Assembly	40, 42	105760	Thermal Protector	41, 43
104536	Motor Housing, Charcoal	41, 43	105790	2 Wire Electrified Hose Cord (15")	39
104544	698 Sq. In. Intercept Micro Filter	22, 35, 36	105800	Sound Muffler	22, 29, 37, 38
104569	Cover, Bag Housing, Grey	42	105889	Hard Floor Tool w/Horse Hair Brush (100614)	15
104570	Plate, Bag Cover Nozzle	42	105891	Hard Floor Tool w/Horse Hair Brush (100614)	15
104571	Duct, Crossover, Bag Cover	42	105892	MegaVac w/Blower Kit A (106984)	3
104574	Plug, Access Port	42	105893	Super CoachVac w/ 2-tool Flooring Installing Kit (105889)	2
104575	Seal, Crossover Duct/Bag Cover Nozzle Plate, Lower	42	105894	MegaVac w/Blower Kit C (106985)	3
104576	Seal, Crossover Duct, Inlet	42	105896	MegaVac w/Blower Kit D (106986)	3
104577	Screw, Phillips, 4mm x 9.5mm	42	105897	Super CoachVac w/ Flooring Installation Kit (105891)	2
104578	Air Duct, Upper ProForce 1500	43	105948	Noise Suppression Foam	35
104738	Seal, Gasket, Bag Housing	40, 42	105949	Noise Suppression Filter Assembly	35
104739	Bag Housing Assembly	42	105973	On/Off Switch	34
104741	Handle, Carry	42	105991	On/Off Switch (2 Stage)	35
104812	Pest Control DVD – Introduction to Pest Control Systems	23	106033	Vac Station Wall Bracket & Screws	25
104832	Replacement Crevice Tool (ProForce 1500XP) 1/4"	18	106064	Replacement Brush – 12" Floor Tool (103084)	24
104833	Combo Upholstery/Dust Brush (ProForce 1500XP) 1/4"	18	106066	On/Off Switch	27, 28, 29, 30, 32, 33, 37, 38
104885	1/4" Attachments with a Telescoping Wand	11, 16	106073	Twist Cap (Purple)	29
104957	Motor Assembly Kit w/Jumpers	41, 43	106107	Ground Jumper	35
104961	Hose, Assembly w/Cuffs, F/XP	40	106110	Gasket	36
104998	Bottom Twist Cap Gasket	28	106194	14" Hard Floor Tool w/Felt Brush – Scalloped & Flat	15, 21, 24
105030	TailVac w/Deluxe 1/4" Kit (103090)	5	106203	Wire Harness Assembly: 3 Wires and Strain Relief	35
105044	Motor Shroud/Diffuser w/Screw Set	27, 28, 29, 30, 33, 37, 38, 39	106205	Super QuarterVac w/Attachment Kit B (101336)	4
105046	Backplate	27, 28, 29, 30, 33, 34, 37	106206	Super QuarterVac w/Attachment Kit A (100078)	4
105047	Receptacle Assembly for Powerhead	36	106207	QuietPro CN HEPA w/Attachment Kit B (101336)	10
105070	Bottom Twist Cap (Black)	28	106209	GoCartVac w/GoCart Kit (104885)	11
105075	Screw, Phillips, 2.9mm x 13mm, F/Switch Cover	40, 42	106213	Cart Assembly	39
105091	Clasp, Strain Relief Kit w/Fastener	40, 42	106214	Kit, Mounting Hardware	39
105136	Replacement HEPA Media Exhaust Filter	23, 41, 43	106215	Kit, Box Assembly	39
105147	Switch, Rocker, On/Off	40, 42	106216	Kit, Battery Wiring Harness	39
105149	Cap, Motor	34	106217	Kit, Receptacle	39
105150	Exhaust Housing, Motor	34	106218	Kit, Charger, 36V, 18.5A, w/Terminals	39
105162	Motor/Fan (120V) w/Crimps	27, 28, 29	106219	Kit, Power Receptacle Cord	39
105164	Carbon Brush Set (Dome)	27, 28, 29, 36	106241	Kit, Receptacle for Box Assembly	39
105281	Carbon Brush Set for ProForce Motor	41, 43	106245	15" Sidewinder® Carpet Tool 1 1/2"	20
105320	Ratchet Fastener	40, 42	106246	15" Sidewinder Hard Floor Tool w/Nylon Brush 1 1/2"	21
105337	Ring, Motor Housing, Large	34	106261	6' Static Strap Kit (ProForce)	25
105341	Cover, Motor Housing	34	106276	Battery, Lead Acid, 12V, 37AH	39
105342	Foam, Ring, Motor Housing	34	106278	Harness, Battery	39
105343	Foam, Cover, Motor Housing	34	106279	Lead, Wire, Battery, Red, #8AWG, w/Terminals	39
105371	Screw, Phillips, 4.2mm x 19mm, F/Power Nozzle Motor	41, 43	106280	Lead, Wire, Battery, Fusible Link, Replacement	39
105379	ProForce 1200XP	7	106281	Switch Assembly w/Crimps	39
105430	Upper Foam Compression Ring	35, 36	106282	Power Cord Replacement, Complete	39
105438	On/Off Switch (older style)	34	106283	Kit, Attachment Hardware for Charger and Box Assembly	39
105486	Filter Cover Kit w/Riveted Hinge and 6 Rivets	40	106284	Kit, Vacuum Attachment Hardware for Cart	39
105488	Motor Housing Sound Filter	41, 43	106287	Switch Box w/Velcro and Screws	27, 28, 29, 30, 32, 33, 37
105489	Air Duct Kit	41, 43	106290	42" to 59" Aluminum 1 1/2" Telescoping Wand	14, 19, 24
105490	Wand Kit	41	106291	1 1/2" Telescoping Wand Kit	2, 4, 5, 6, 7, 10, 14
105491	Filter Cover Kit, w/Riveted Hinge and 6 Rivets	42	106293	Aluminum One-Piece, Two-Bend Wand – 49"	16, 19, 24
105496	Battery Control Module	39	106297	Rear Wheels w/Axle	39
105498	Training/Sales DVD – The ProTeam Way	23	106298	Front Caster	39
105537	Set of Display Pedestals	23	106343	Chrome Telescoping Wand – 24" to 40" w/Button Lock	15, 16, 19, 20, 21, 24
105573	Quick Release Hose Cuff	40	106345	Waist Belt Extension (10") Nifco	25
105605	Gasket, Motor	34	106346	Waist Belt Extension (18") Nifco	25
105613	Motor Mount	34	106472	Top Pad for Backplate	38
105619	Motor Mount Assembly	34	106473	Waist Belt	38
105620	Kit, Housing, Exhaust, Motor F/QuietPro	34	106501	Vacuums – Set-Up/Training/Operation DVD	23
105621	Kit, Foam, Laminate Acoustical Panels	34	106502	Aviation 1 1/2" Attachment Kit	6, 16
105622	Kit, Exhaust, Foam and Ring	34	106512	Super CoachVac w/ 1 1/2" Telescoping Wand Kit (106291)	2
105623	Kit, Cover, Exhaust F/QuietPro	34	106513	Super QuarterVac w/1 1/2" Telescoping Wand Kit (106291)	4
105648	Thermal Protector	27	106514	TailVac w/1 1/2" Telescoping Wand Kit (106291)	5
105653	Dual Speed Module and Schematic with Thermal Protector	34, 35	106515	QuarterVac w/1 1/2" Telescoping Wand Kit (106291)	6
105687	Motor/Fan (120V)	36	106517	QuietPro CN HEPA w/1 1/2" Telescoping Wand Kit (106291)	10
105691	18" Sidewinder® Carpet Tool 1 1/2"	20	106518	QuietPro BP HEPA w/1 1/2" Telescoping Wand Kit (106291)	10
105692	18" Sidewinder Hard Floor Tool w/Nylon Brush 1 1/2"	21	106519	ProVac BP w/ Telescoping Wand Kit (106291)	8
105693	59" Two-Piece Aluminum Sidewinder Straight Wand	19, 20, 21	106525	Screws	24
105695	59" One-Piece Aluminum Sidewinder Straight Wand	19, 20, 21	106526	Replacement HEPA Dome Filter	22, 27, 29, 34

Part No.	Product Name	Page No(s).	Part No.	Product Name	Page No(s).
106542	AviationVac w/Aviation 1½" Kit #1 (106502)	6	107076	Shoe Kit (Xover Performance)	24
106550	Switch Replacement	39	107077	Brush Strip (Xover Performance)	24
106573	Super CoachVac HEPA w/Attachment Kit B (101336)	2	107078	Shoe Kit (Xover Productivity)	24
106577	Super QuarterVac HEPA w/Attachment Kit B (101336)	4	107083	Thermal Protector	32
106579	Super QuarterVac HEPA w/1½" Telescoping Wand Kit	4	107084	Waist Belt Extension for Super HalfVac	25
106580	Super CoachVac HEPA w/1½" Telescoping Wand Kit	2	107093	Impact Bumper (ProForce 1500XP)	40, 42
106603	Charger Assembly	11, 38	107097	Xover Performance Floor Tool (107015) w/1½" Two-Piece Wand	2, 3, 4, 5, 14
106614	Handle	42	107098	Xover Floor Tool (107016) w/1½" Two-Piece Wand	2, 3, 4, 5, 14
106615	Handle, Tube Assembly Complete	42	107099	Xover Perf. Flr TI (107015) w/Telescop. Wand	2, 4, 5, 6, 7, 8, 9, 10, 11, 14
106617	Handle Kit	40	107100	Xover Floor Tool (107016) w/Telescoping Wand	2, 4, 5, 6, 7, 8, 9, 10, 11, 14
106618	Handle, Tube Assembly Complete, F/XP	40	107101	Super QuarterVac w/Xover Performance Floor Tool Kit A	4
106619	Handle/Bezel Assembly (PF1 500XP)	40	107102	SuperCoach w/Xover Performance Floor Tool Kit A	2
106621	Battery Pack Assembly	11, 38	107103	Super QuarterVac HEPA w/Xover Performance Floor Tool Kit A	4
106709	10" Multi-Surface Floor Tool 1¼"	15, 16, 20	107104	SuperCoach HEPA w/Xover Performance Floor Tool Kit A	2
106719	Waist Belt Keeper and Latch	27, 28, 29, 30, 33, 34, 37	107105	Super HalfVac HEPA w/Xover Performance Floor Tool Kit A	5
106740	Handle Bezel w/Screws (new style)	42	107106	Super QuarterVac w/Xover Floor Tool Kit B	4
106793	8" Sidewinder Hard Floor Tool w/ Horse Hair Brush 1½"	21	107107	SuperCoach w/Xover Floor Tool Kit B	2
106803	GoVac BP w/Attachment Kit (106844), Battery & Charger	11	107108	Super QuarterVac HEPA w/Xover Floor Tool Kit B	4
106806	Thermistor Assy, 3 Ohm, F/GoVac	38	107109	SuperCoach HEPA w/Xover Floor Tool Kit B	2
106831	Motor/Fan (36VDC) w/Crimps	38	107110	Super HalfVac HEPA w/Xover Floor Tool Kit B	5
106832	Switch Cord Assembly Complete	38	107111	Super QuarterVac w/Xover Performance Floor Tool Kit C	4
106833	Power Cord Assembly Complete (36VDC)	38	107112	SuperCoach w/Xover Performance Floor Tool Kit C	2
106834	Shoulder Strap Set with Sternum Strap	38	107113	Super QuarterVac HEPA w/Xover Performance Floor Tool Kit C	4
106836	Waist Belt Connection Set	38	107114	SuperCoach HEPA w/Xover Performance Floor Tool Kit C	2
106837	Backplate Assembly	38	107115	Super HalfVac HEPA w/Xover Performance Floor Tool Kit C	5
106838	Backplate Connection Set	38	107116	Super QuarterVac w/Xover Floor Tool Kit D	4
106844	GoVac BP Toolkit	11, 16	107117	SuperCoach w/Xover Floor Tool Kit D	2
106887	HEPA Dome Filter Upgrade Kit	22	107118	Super QuarterVac HEPA w/Xover Floor Tool Kit D	4
106888	HEPA Dome Filter Upgrade Kit	22	107119	SuperCoach HEPA w/Xover Floor Tool Kit D	2
106889	Top Cap, Purple (RunningVac)	36	107120	Super HalfVac HEPA w/Xover Floor Tool Kit D	5
106890	RunningVac w/Attachment Kit B (101336)	7	107123	CoachVac w/Xover Performance Floor Tool Kit (107097)	3
106894	RunningVac w/1½" Telescoping Wand Kit (106291)	7	107124	CoachVac w/Xover Floor Tool Kit B (107098)	3
106904	Carbon Brush Set (Ametek) (122157-00)	27, 30, 33, 35, 37	107125	Button Lock Repair Kit Telescoping Wand (106343)	24
106907	GoVac BP w/ Attachment Kit B, 1½" hose (101336)	11	107127	ProGuard LI 3 Cordless	12
106919	Motor/Fan (120V) w/Crimps (Ametek Motor)	35	107128	ProGuard 4 Portable	12
106924	Charger Fuse	38	107129	ProGuard 10	13
106928	Exhaust Muffler	22, 39	107130	ProGuard 15	13
106960	Intercept Micro Filters (Open Collar) 496 sq. in. / 6 qt.	22, 32	107131	ProGuard 20	13
106961	Replacement Sleeve w/Rivets – Aluminum Wand (106293)	24	107132	ProBlitz	14
106973	Intercept Micro Filters (Closed Collar) 496 sq. in. / 6 qt.	22, 32	107133	ProBlitz XP	14
106984	MegaVac Kit A	3, 17	107137	MegaVac w/Xover Performance Floor Tool Kit C (107099)	3
106985	MegaVac Kit C	3, 17	107138	MegaVac w/Xover Floor Tool Kit D (107100)	3
106986	MegaVac Kit D	3, 17	107139	QuarterVac w/Performance Floor Tool Kit C (107099)	6
106988	Super HalfVac w/ Attachment Kit B (101336)	5	107140	QuarterVac w/Xover Floor Tool Kit D (107100)	6
106989	14" E-Z Glide Floor Tool w/Brush (101446)	3, 17	107141	LineVacer HEPA w/Xover Performance Floor Tool Kit C (107099)	9
106993	Blower Tool	17, 18	107142	LineVacer HEPA w/Xover Floor Tool Kit D (107100)	9
106995	Intercept Micro Filter (Closed Collar) 496 sq. in./6 qt.	22	107143	TailVac w/Xover Performance Floor Tool Kit C (107099)	5
107004	Super HalfVac HEPA w/1½" Telescoping Wand Kit (106291)	5	107144	TailVac w/Xover Floor Tool Kit D (107100)	5
107005	HEPA Replacement Cartridge	22, 32	107145	QuietPro BP HEPA w/Xover Performance Floor Tool Kit C (107099)	10
107015	14" Xover™ Performance Floor Tool 1½"	14, 16, 20	107146	QuietPro BP HEPA w/Xover Floor Tool Kit D (107100)	10
107016	14" Xover™ Floor Tool 1½"	14, 16, 20	107147	ProVac BP w/Xover Performance Floor Tool Kit C (107099)	8
107020	Replacement Hose – Sidewinder Floor Tool	24	107148	ProVac BP w/Xover Floor Tool Kit D (107100)	8
107040	Micro Cloth Filter	22, 32	107149	RunningVac w/Xover Performance Floor Tool Kit C (107099)	7
107041	Switch and Power Cord Assembly	32	107150	RunningVac w/Xover Floor Tool Kit D (107100)	7
107042	Power Cord Assembly	32	107151	QuietPro CN HEPA w/Xover Performance Floor Tool Kit C (107099)	10
107043	Switch Box	32	107152	QuietPro CN HEPA w/Xover Floor Tool Kit D (107100)	10
107044	Switch Cord Assembly	32	107153	ProVac CN w/Xover Performance Floor Tool Kit C (107099)	8
107045	Wire Kit	32	107154	ProVac CN w/Xover Floor Tool Kit D (107100)	8
107046	Motor Assembly	32	107155	AviationVac w/Xover Performance Floor Tool Kit C (107099)	6
107047	Waist Belt w/Plate (includes hardware kit)	32	107156	AviationVac w/Xover Floor Tool Kit D (107100)	6
107048	Stabilization Strap w/Screw	32	107157	GoVac BP w/Xover Performance Floor Tool Kit C (107099)	11
107049	Length Adjustment Strap Kit w/Buckles	32	107158	GoVac BP w/Xover Floor Tool Kit D (107100)	10
107050	Waist Belt, Complete, w/Mounting Hardware	32	107159	MegaVac Blower Kit w/Xover Floor Tool w/Two-Piece Wand	3, 17
107051	D-Ring	32	107160	MegaVac Blower Kit w/Xover Performance Floor Tool w/2-Piece Wand	3, 17
107052	Waist Belt Assembly & Upper Housing Screw Kit	32	107161	LineVacer w/Turbo Brush Kit (107162)	9
107053	End Cap	32	107162	LineVacer Toolkit w/1.5" 2-Piece Friction-Fit Wand	9, 16
107054	Plastic Dome Filter	32	107163	Brush Roll, Power Nozzle, ProForce 1200XP	41
107055	Vibration Dampener	32	107165	Power Nozzle Cover (ProForce 1200XP)	41
107056	Bag Housing w/Decals	32	107166	Bumper, Power Nozzle (ProForce 1200XP)	41
107057	Upper Housing w/Screws & Washers	32	107167	Baseplate, Power Nozzle, ProForce 1200XP	41
107058	Overlap Housing w/Screws	32	107175	Fine Dust Cartridge Filter (ProGuard)	23
107059	HEPA Filter Housing	32	107175	Fine Dust Filter	45, 46
107060	Foam Filter Media for Dome Filter	22, 32	107176	HEPA Media Filter (ProGuard)	23
107073	Handle Bezel Assembly (ProForce 1500)	42	107177	ProGuard Wet Filter	23, 45, 46

INDEX

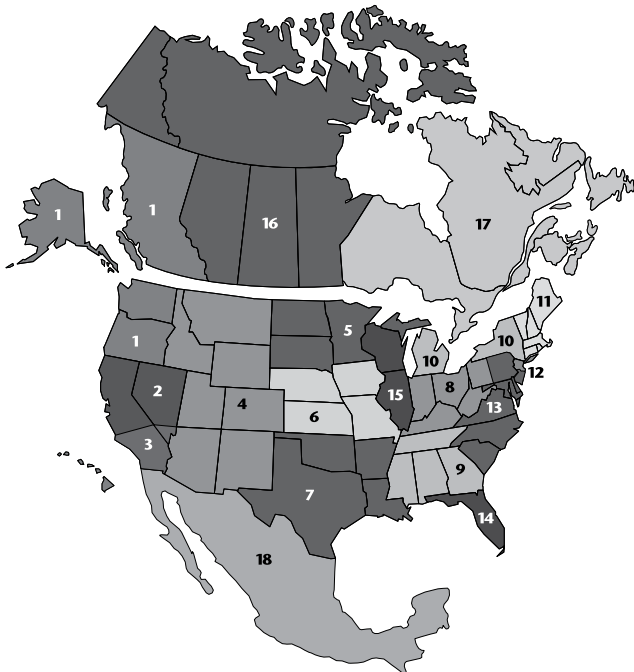
Part No.	Product Name	Page No(s).	Part No.	Product Name	Page No(s).
107178	Fine Dust Cartridge Filter (ProGuard)	23, 44	833456	Base, Cart	46
107179	Certified HEPA Filter (ProGuard)	23, 45	833459	Wheel 10"	46
107180	Intercept Micro Filter ProGuard 15/20	22, 46	833460	Spacer Wheel	46
107181	Intercept Micro Filter ProGuard 10/10 HEPA	22, 45	833461	Bracket Shaft Tube	46
107182	Intercept Micro Filter ProGuard 4 Portable	22, 44	833462	Caster 4" w/Bearings	46
107183	ProGuard 10 HEPA	9	833463	Plate Pedal Lock	46
107184	ProGuard 4 Tool Kit	17, 45	833465	Handle, Cart Base	46
107185	Front Mount Squeegee	13, 21	833492	Screw Pan Cross SS 10-32 X 1.25	45, 46
107186	Front Mount Squeegee Blade Set	21, 24	833493	Washer (13/64 id) #10 SS	45, 46
107187	ProGuard 10/15/20 Tool Kit	9, 13, 17	833509	Filter Rubberized Washer	45
107188	Ext. Handle Curved	17, 19, 45	833511	Filter Wing Nut	45
107189	Master Floor Tool	17, 21, 45	833518	Gasket Lid	45, 46
107190	Ext. Handle Straight	17, 21, 45	833523	Squeegee Pivot Plate Assembly	24
107191	Carpet Insert	17, 21, 45	833528	Squeegee Mounting Bracket	24
107192	Floor Brush Insert	17, 21, 45	833529	Spring	24
107193	Squeegee Insert	17, 21, 45	833530	Rod	24
107194	Crevice Tool	17, 18, 44, 45	833532	Squeegee Assembly	24
107195	Dust Brush	17, 18, 44, 45	833542	Oval Hand Knob (set of 2)	24
107196	Claw Nozzle	17, 18, 44, 45	833573	Pre-Filter	45
107197	Hose Assembly	44	833576	Collector Assembly	45
107198	Hose Assembly	45, 46	833577	Hose Adaptor	46
107199	Squeegee Tool	17, 21	833587	Hose Assembly Locking Ring Cuff	45, 46
107200	18V LI Battery	12, 44	833600	Diffuser Assembly	45, 46
107201	18V LI Charger	12, 44	833601	Tank 10 Gallon	45
107203	Cord Retention Clip (ProForce 1500XP/1200XP)	40, 42	833602	Tank, 15 Gallon	46
107214	Bag Housing Assembly (ProForce 1500XP/1200XP)	40	833603	Tank, 20 Gallon	46
107220	Replacement Swivel Cuff (Black)	31, 32	833658	Inlet Grill	47
107300	Carpet Clamp Kit	14	833659	Exhaust Grill	47
510040	Wheel Assembly (for ProBlitz XP)	47	833660	833660 Blower Wheel	47
510094	Cover Motor Assembly	45	833662	Thumb Screw	46
510097	Cover Motor Assembly	46	833673	Threaded Inserts - Housing	47
510104	Cover Motor Assembly	46	833674	Motor	47
510106	Drum (with Inlet)	44	833675	Cord w/Plug	47
510107	Motor Cover and Top Handle	44	833690	Foot Bumper	47
510108	Cage and Float Assembly	44	833691	Retractable Handle (for ProBlitz XP)	47
510109	Casters	44	833778	Ball Float (ProGuard 10 only)	45
510121	Power Head	44	833779	Cap Retainer	46
510122	Battery Cover/Hinge	44	140755-12	Lock Washer Ext 5/16	46
510123	Switch and Switch Cover	44	161255-2	3/8" Lock Nut	24, 46
510124	Blower Wheel, Washer, Spacer, Nut	44	161255-8	Nut Lock #10 SS	45, 46
510126	Motor Cover Assembly (ProGuard 10 HEPA only)	45	509776-19	Motor Assembly	44
510127	Switch/Cover	44, 45, 46	805466-3	Screw Hex HD 5/16-18 X 5/8	46
510141	Switch & Knob Assembly	47	805557-1	Washer 13/32 ID	46
73185	Drain Cap	45	808872-2	Screw 10-32 x 1 1/4	46
826387	Drum Latch	44	813836-1	Nut Washer Cap 1/2 Blk	46
826881	Clamp Hose	46	820563-4	Screw Ser Pn or Ty AB N10 x 3/4 ZN Pl	45, 46
827415	Gasket Motor	45, 46	820563-7	Screws - Type AB #10 x 3/4"	47
830098	Diffuser	44	820563-13	Screws - Type AB #10 x 1"	47
830609	Foam Pad, Exhaust	44, 46	822374-8	Carbon Brush Set	45, 46
831567	Motor Assembly Complete	45, 46	823200A	Ball Float	46, 47
831577	Swivel Hose Cuff 1 1/2"	45, 46	823299A	Float Ball	47
831651	Duct Motor Exhaust	45, 46	826453-2	Screw Pan Cr 10-32 x 3/4	45, 46
831659	Collector Assembly	45, 46	829719-4	Cord Assembly	44
832048	Filter Cage/Float	44	830101-1	Filter Cage	45, 46
833367	Drum Latches	44	830536-1	Wire Tie	24
833371	Drum with Labels	44	830565-2	Handle Motor Cover	45, 46
833417	Cord Pig Tail	45, 46	831024-3	Shaft Tube	46
833425	Tank Inlet Adapter	45, 46	831337-6	Premium Hose Assembly	44
833426	Inlet Adapter Gasket	45, 46	831653-3	Lid	45, 46
833429	Drain Adapter with Gasket	45	832397-1	Screw Hex 3/8-16 X 3.750	46
833431	Caster 3"	45	832397-2	3/8" Bolt	24
833432	50' 14-Gauge Extension Cord w/Twist Lock Plug	25, 45, 46	833424-1	Latch Drum	45, 46
833442	Hose Assembly	46	833442-1	Hose Assembly	24
833449	Cap Rubber Drum Pour Spout	46	833492-1	Screw Pan Cross SS 10-32 X 3/4	45, 46
833450	Cable Lanyard	46	833492-2	Screw Pan Cross SS 1-32 x 1/375	45
833451	Hose Drain Assembly 30"	46	833656-1	Right Housing	47
833452	Clamp Hose SS Worm-Drive	46	833657-1	Motor Housing	47
833454	Bushing, Drum Hinge	46			

SALES REPRESENTATIVES

Please contact the following to find a local distributor who sells ProTeam products.

United States

- 1 **Ryan, Saffel & Associates**
AK, WA, OR, HI
2731 152nd Avenue, NE
Redmond, WA 98052-5544
(425) 885-7090
(800) 869-7053
FAX (425) 881-8733
rsaf@ryansaffel.com
- 2 **Nexus**
Northern CA, Northern NV
14470 Doolittle Drive
San Leandro, CA 94577
(510) 567-1000
(800) 482-6088
FAX (510) 567-1005
victoria@nexus-now.com
- 3 **Access Partners**
Southern CA, Southern NV
912 W. Tenth Street
Azusa, CA 91702
(626) 815-4200
FAX (626) 815-4300
jstone@accesspartners.biz
- 4 **TRC Marketing, Inc.**
MT, ID, WY, UT, CO, AZ, NM, El Paso
4665 Joliet Street
Denver, CO 80239
(303) 373-1940
(800) 748-2290
FAX (303) 371-1557
laurie@trcmarketinginc.com
- 5 **D.C. Brown, Inc.**
ND, SD, MN, Northwest WI
7104 Ohms Lane, Ste. 214
Minneapolis, MN 55439-2129
(952) 896-1890
FAX (952) 896-1970
service@dcbrowninc.com
- 6 **K.J.A., Inc.**
NE, IA, KS, MO
9000 Fernald Drive
St. Louis, MO 63123
(314) 842-6222
(800) 892-1733
FAX (800) 329-9552
ken@kjainc.com
- 7 **Demlow Marketing**
OK, AR, TX, LA
4910 Darling St.
Houston, TX 77007
(713) 864-2947
(800) 334-4923
FAX (713) 864-7054
jshoffner@demlow.com
- 8 **Osborne Sales Group**
IN, OH, Western PA, KY, WV
4010 North Bend Road, Suite 101
Cincinnati, OH 45211
(513) 481-6200
(800) 837-4933
FAX (513) 389-3992
sales@osbornegroup.net
- 9 **Hinton Sales, Inc.**
TN, MS, AL, GA
6659-D Peachtree Industrial Blvd.
Norcross, GA 30092
(770) 326-6455
(800) 344-2638
FAX (770) 326-6189
hsi.inc@hintonsales.com
- 10 **The Stockdale Company**
Upstate NY, MI
4159 Holland-Sylvania Rd., Ste. 104
Toledo, OH 43623-4801
(419) 885-2497
(866) 885-2497
FAX (419) 885-8124
sales@stockdaleco.com
- 11 **Market Advantage Plus**
VT, NH, ME, MA, CT, RI
56 Leonard St., Unit 4
Foxboro, MA 02035
(508) 543-3605
(800) 564-6320 (New England only)
FAX (508) 543-7147
info@marketadvantageplus.com
- 12 **Bull'sEye**
Northern NJ, Metro NY, Long Island, NY
73 Cedar Avenue
Hershey, PA 17033
(717) 533-3601
(888) 381-8892
FAX (717) 533-4671
bullseye@bullseyeinc.net
- 13 **Buckley & Associates**
Eastern PA, DE, MD, DC, VA, NC, SC, Southern NJ
5707 Centre Square Dr.
Centreville, VA 20120
(703) 631-8138
FAX (703) 631-7841
buckleyassociate@aol.com
- 14 **The DeBolt Company, Inc.**
FL, Caribbean
3650 Coral Ridge Dr., Suite 112
Coral Springs, FL 33065
(954) 255-5061
(800) 866-0618
FAX (800) 860-0618
chris@DeBoltCo.com
- 15 **The RTF Group, Inc.**
IL, WI
49 Sherwood Terrace, #49C
Lake Bluff, IL 60044
(847) 234-7300
(800) 860-6162
FAX (847) 234-7301
info@rtfgroup.com



Canada

- 1 **British Columbia**
Ryan, Saffel & Associates
2731 152nd Avenue, NE
Redmond, WA 98052-5544
(425) 885-7090
(800) 869-7053
FAX (425) 881-8733
rsaf@ryansaffel.com
- 16 **Western Canada (except BC)**
Rev Sales & Marketing, Inc.
AB
3107 16 Street SW
Calgary, AB Canada T2T 4G8
(403) 400-2024
kim@revsales.com

MB, SK
1345 Niakawa Road East
Winnipeg, MB R2J 3T5
(204) 962-1849
customerservice@revsales.com
- 17 **Eastern Canada**
McConnell-Spadafora
ON, QC, NB, NS, PEI, NL
850 Legion Road, Unit 4
Burlington, ON Canada L7S 1T5
(905) 681-9563
(866) 700-8889
FAX (905) 681-1727
mcconnellspadafora@cogeco.net

Mexico

- 18 **MGIS**
Mexico
25 Brenton Terrace
Hamden, CT 06518
(203) 909-6929
FAX (203) 909-6931
mgonzalez@ameritradingco.com

FOR MORE INFORMATION ABOUT OUR COMPLETE LINE OF COMMERCIAL VACUUMS,

866.888.2168 • www.pro-team.com • customerservice.proteam@emerson.com



P. O. Box 7385
Boise, ID 83707
www.pro-team.com
customerservice.proteam@emerson.com
866.888.2168



FOLLOW US ONLINE

Connect with us on Facebook and
YouTube for NEW product information.